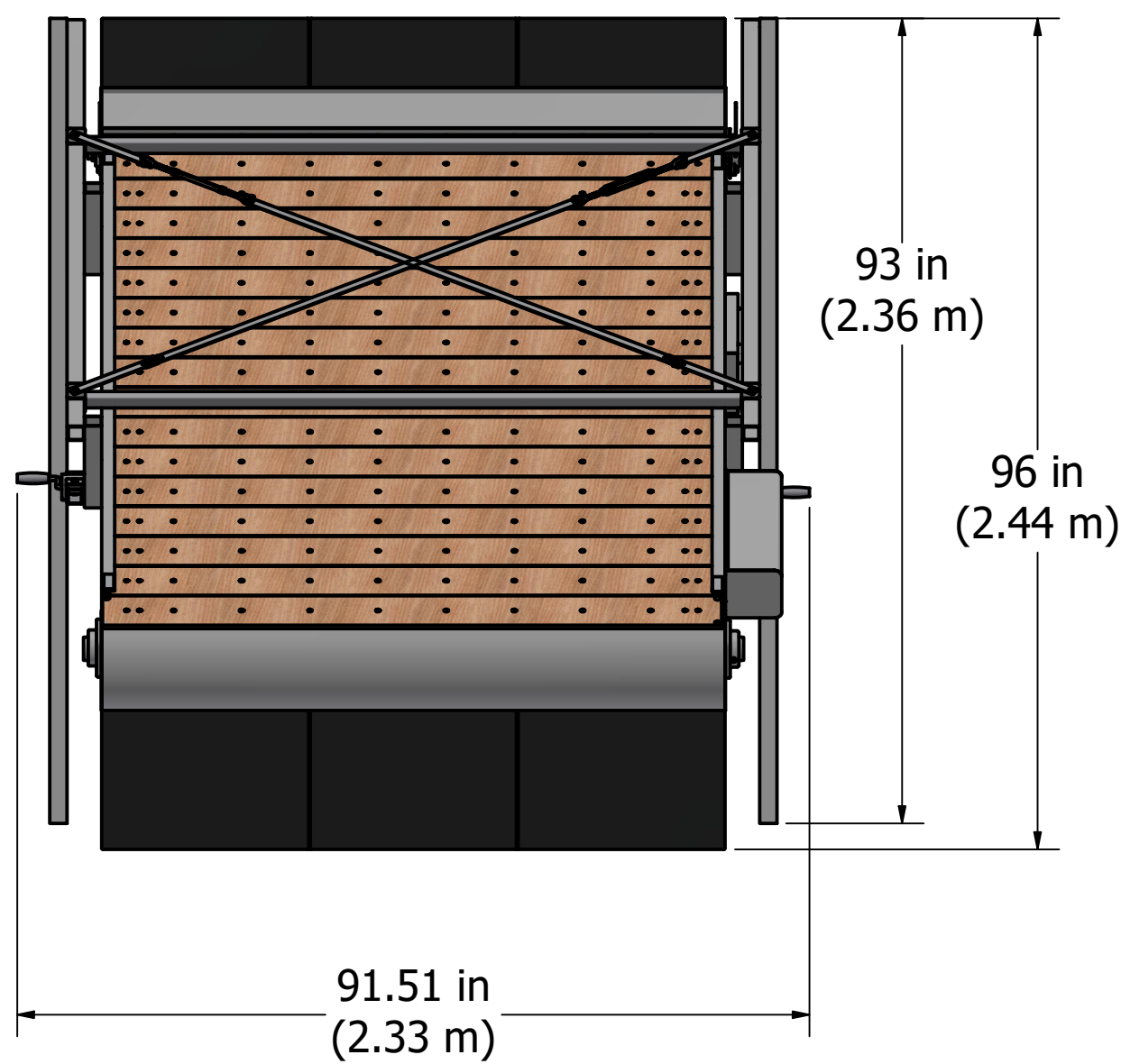
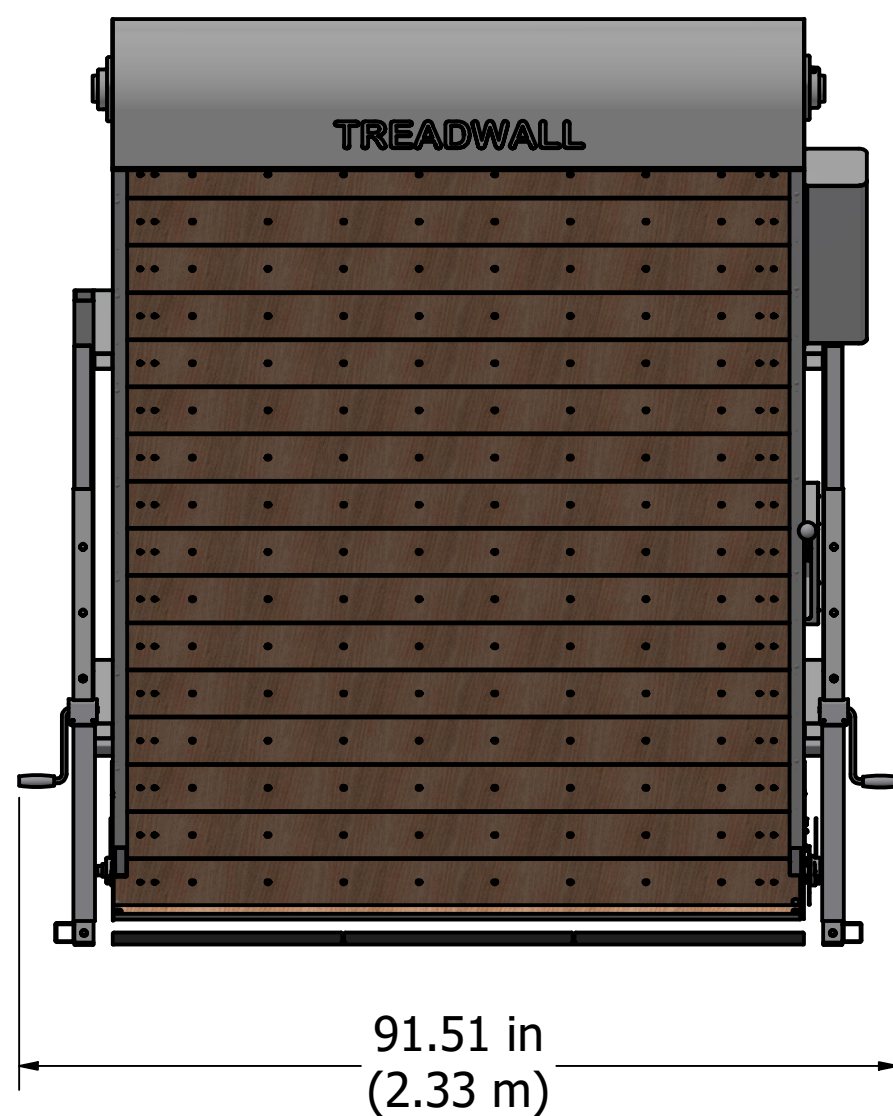


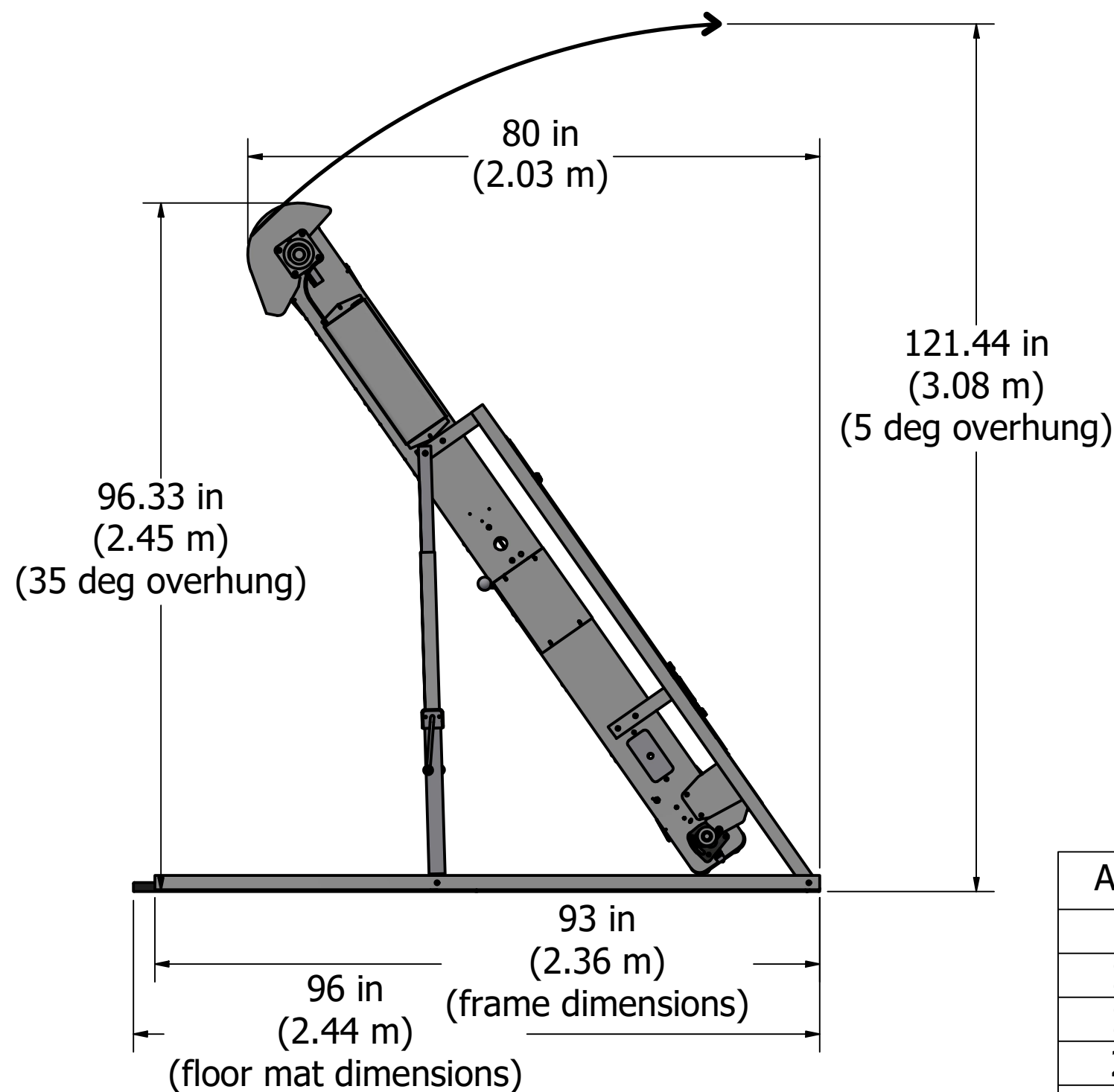
Treadwall® Kore6/10 Rotating Walls



Top View

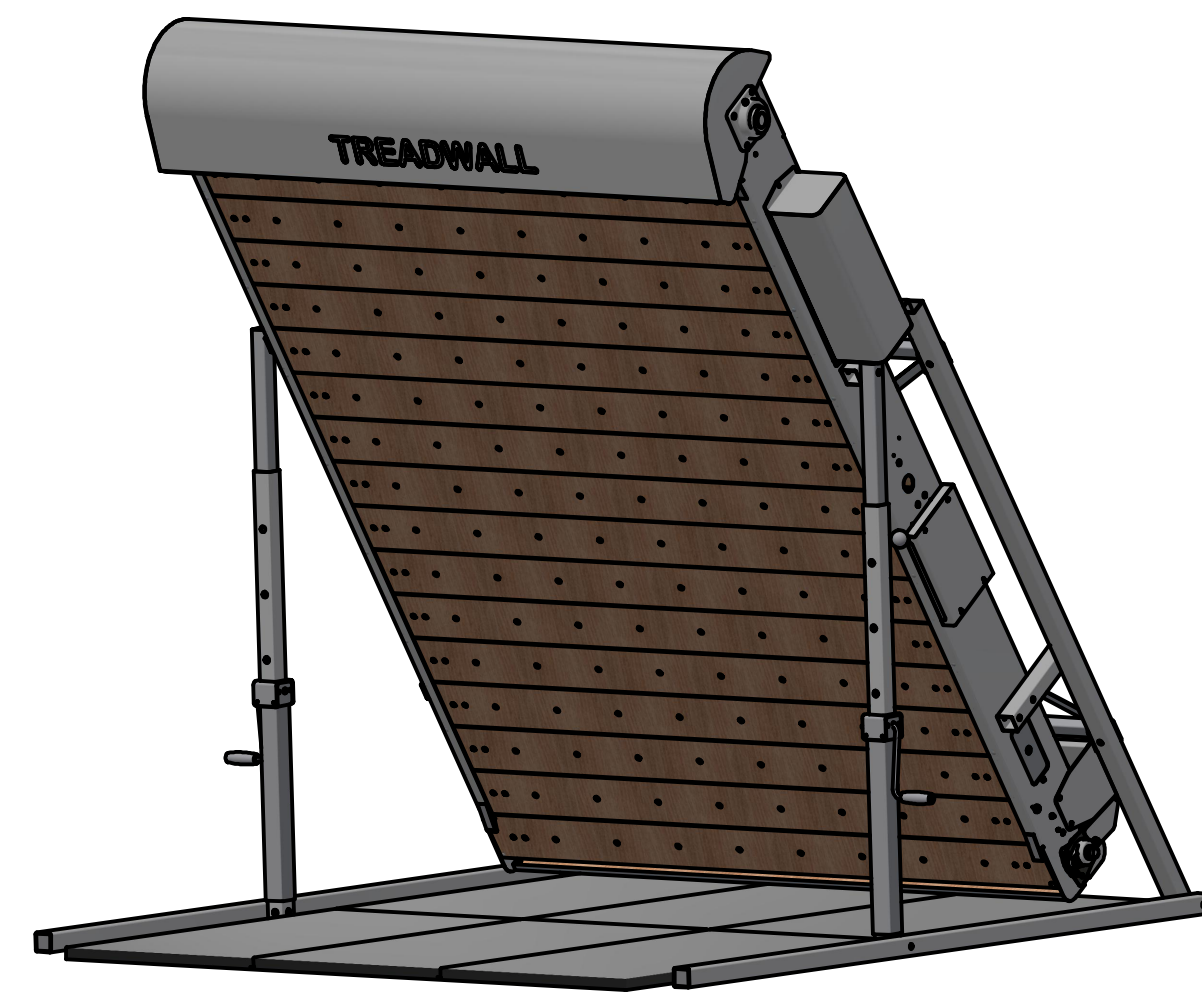


Front View



Side View

The Treadwall Kore6/10 is designed solely for residential, climbing focused use. It has a generously sized climbing surface - 6 foot (1.83 m) wide by 8 foot (2.44 m) high that encourages sideways as well as upward movement. The wall's rotation is powered by the climber's weight - no motors are used. The wall angle is adjusted using the hand crank system, which allows on-going adjustments through three broad ranges. A lever mounted on the right side adjusts the speed to suit the user, and a patented auto-stop(tm) mechanism matches the movement of the wall to the climber's movements, gently braking when the climber's feet are at the bottom panel. The Kore6/10 is designed to fit under a 10 foot (3.1 m) ceiling. See the Kore6/11 for higher ceilings. There is no Kore6/12 option.



SPECIFICATIONS:

Weight: 1070 pounds (485 Kg).

Construction: Steel framework with custom-machined wood panels.

Frame color: Anthracite Gray is standard.

Panel color: Natural Wood.

Placement: Inside standard - outside with exterior upgrade.

Width of climbing surface: 6 feet (1.83 m).

Total length of climbing surface: 18 feet (5.49 m).

Number of possible hold placements: 288.

Maximum hold size: 2.5 inches (63.5 mm) high by 6 inches (152 mm) wide.

Angle range: negative 5 degrees to negative 35 degrees (overhanging).

Mode of control: Electro-hydraulic braking and resistance.

Electrical requirements: 9 VDC (1500ma) Plug-in transformer (supplied) or battery used.

Warranty: Two years parts. See full warranty for details.

OPTIONS:

Exterior upgrade: Frame is galvanized and wood panels are coated with an exterior grade coating.

Custom color: Custom frame colors are available, contact us for your color

Holds*: Set of 45 custom training holds in 3 color groups.

Training rungs: 14 ladder Line(tm) wood rungs.

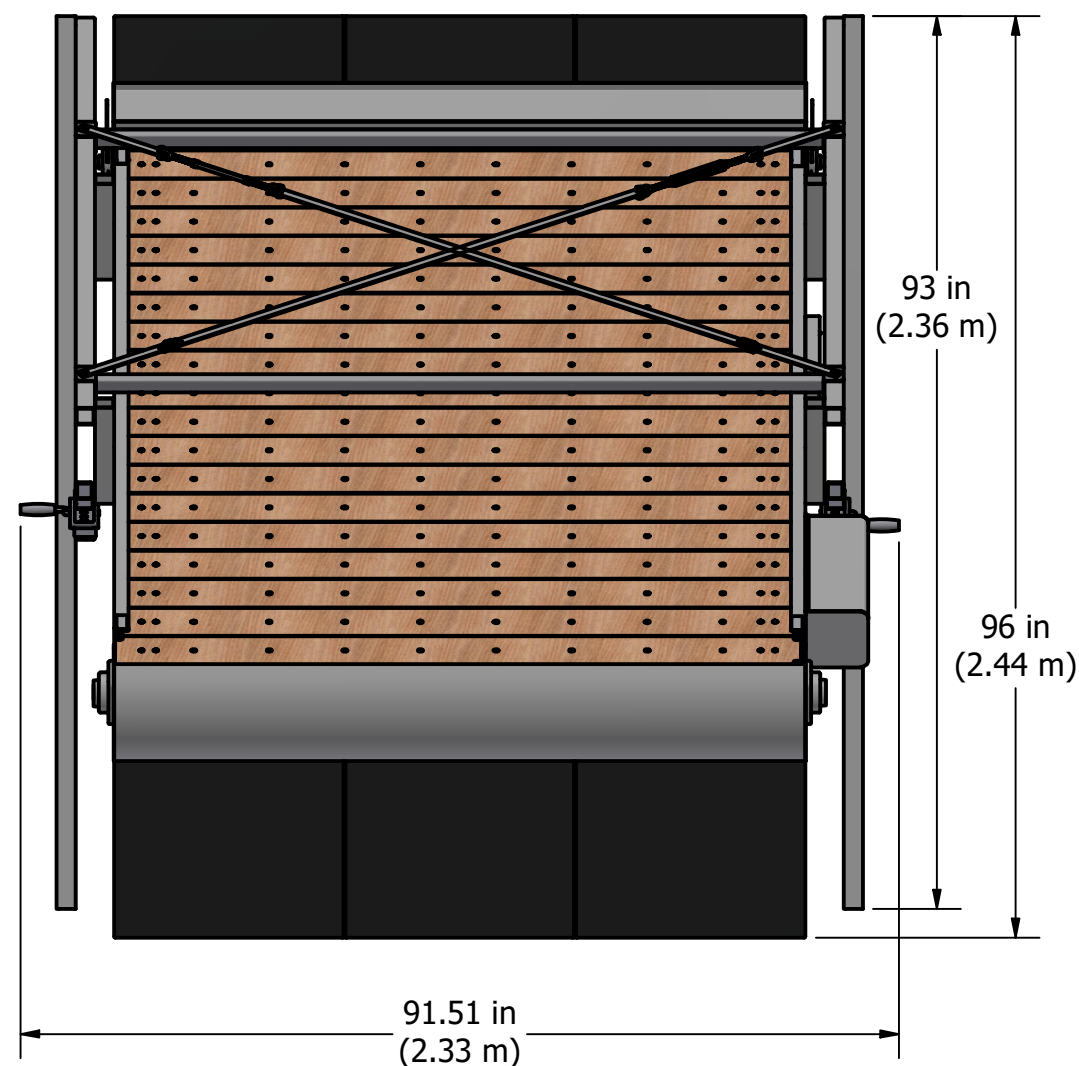
Floor Mat*: 8 feet (2.44 m) x 6 feet (1.83 m) custom mat, 1.25 inches (31.75 mm) dual foam, black 14 oz. vinyl cover.

Electronic Display*: Measures distance (feet or meters), time and calories. Time and distance goals can be pre-set.

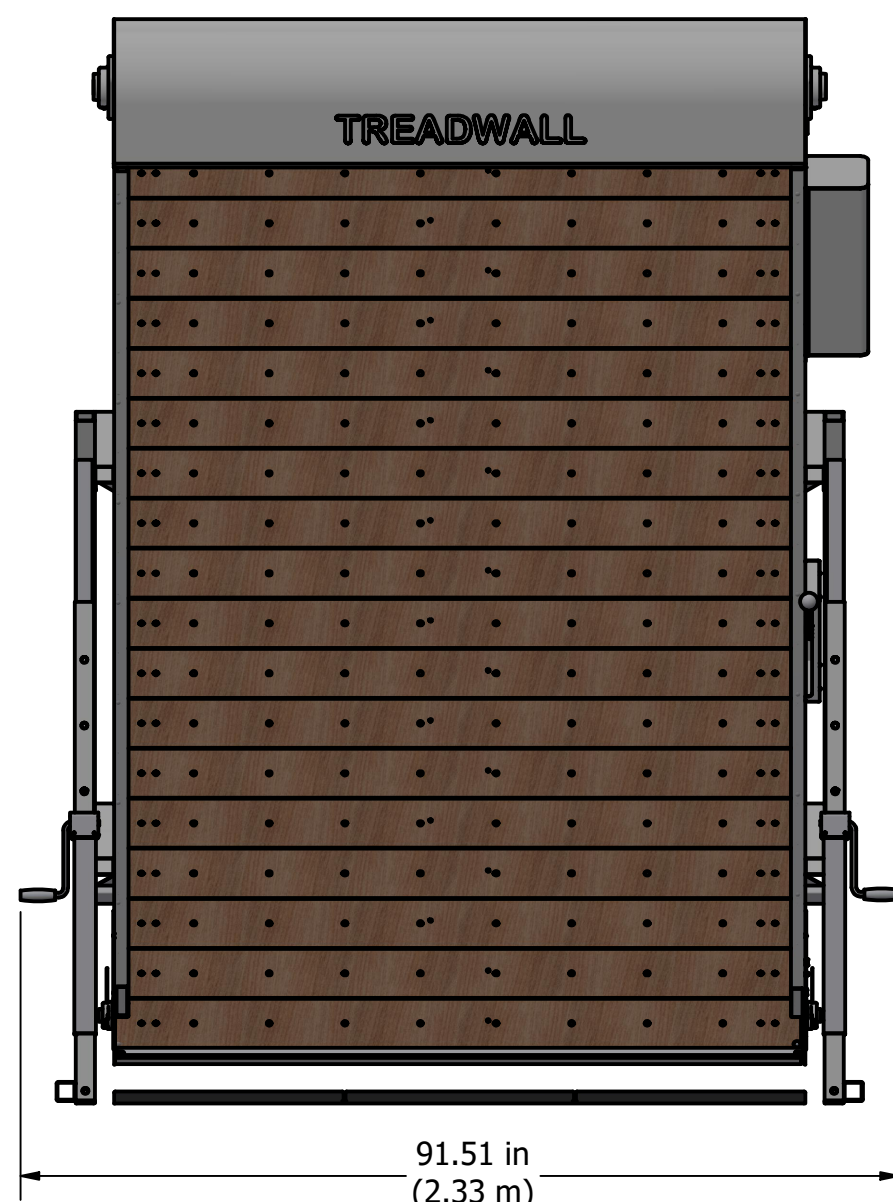
*Included with Pro-package

Angle	Kore 10 (in)	Kore 10 (m)	Kore 11 (in)	Kore 11 (m)
5°	121.44	3.08	132	3.35
10°	117	2.97	130	3.3
15°	114.5	2.91	126.5	3.21
20°	111	2.82	122.5	3.11
25°	106.5	2.71	117.5	2.98
30°	102	2.59	113.5	2.88
35°	96.33	2.45	106	2.69

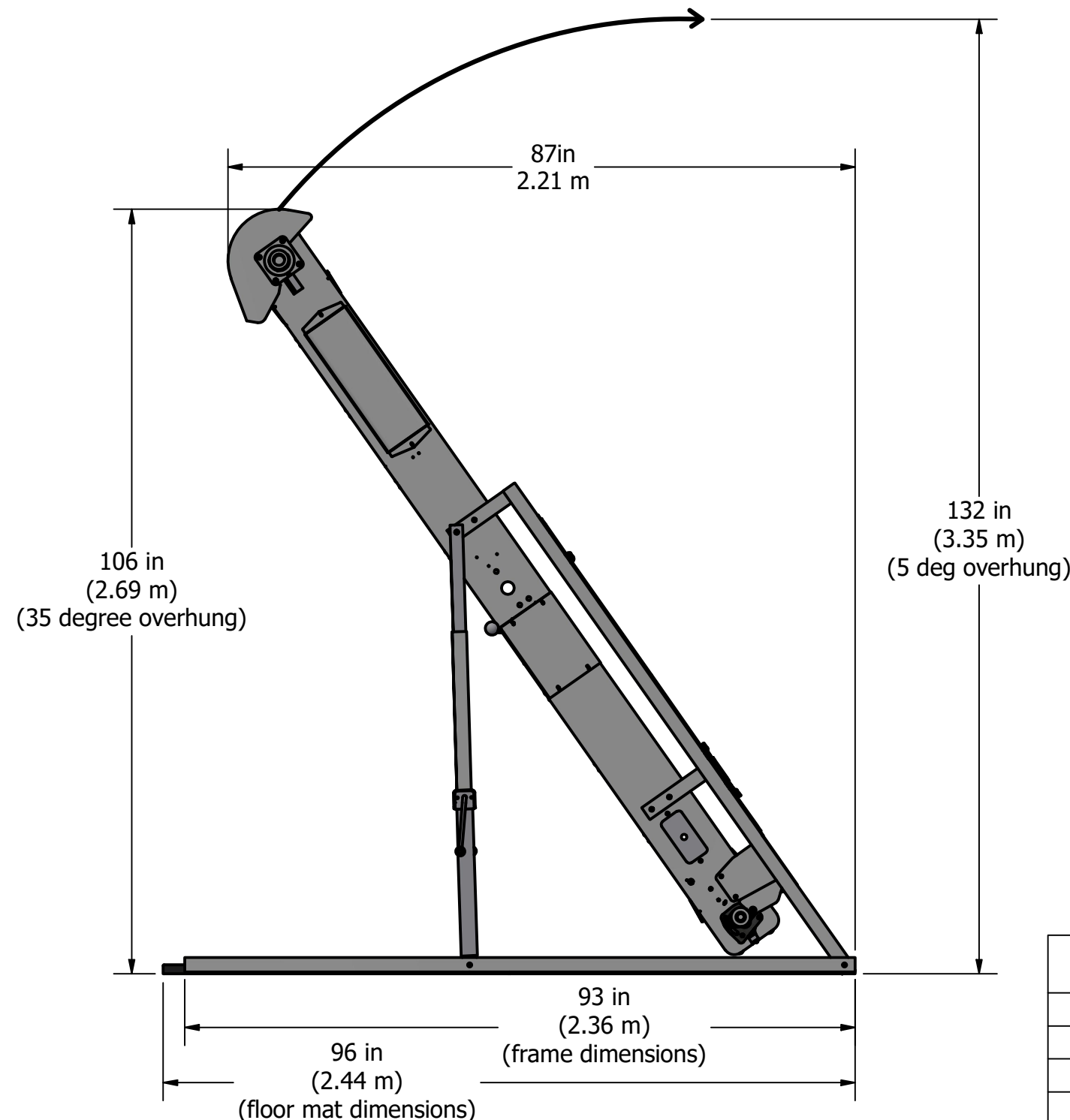
Treadwall® Kore6/11 Rotating Walls



Top View

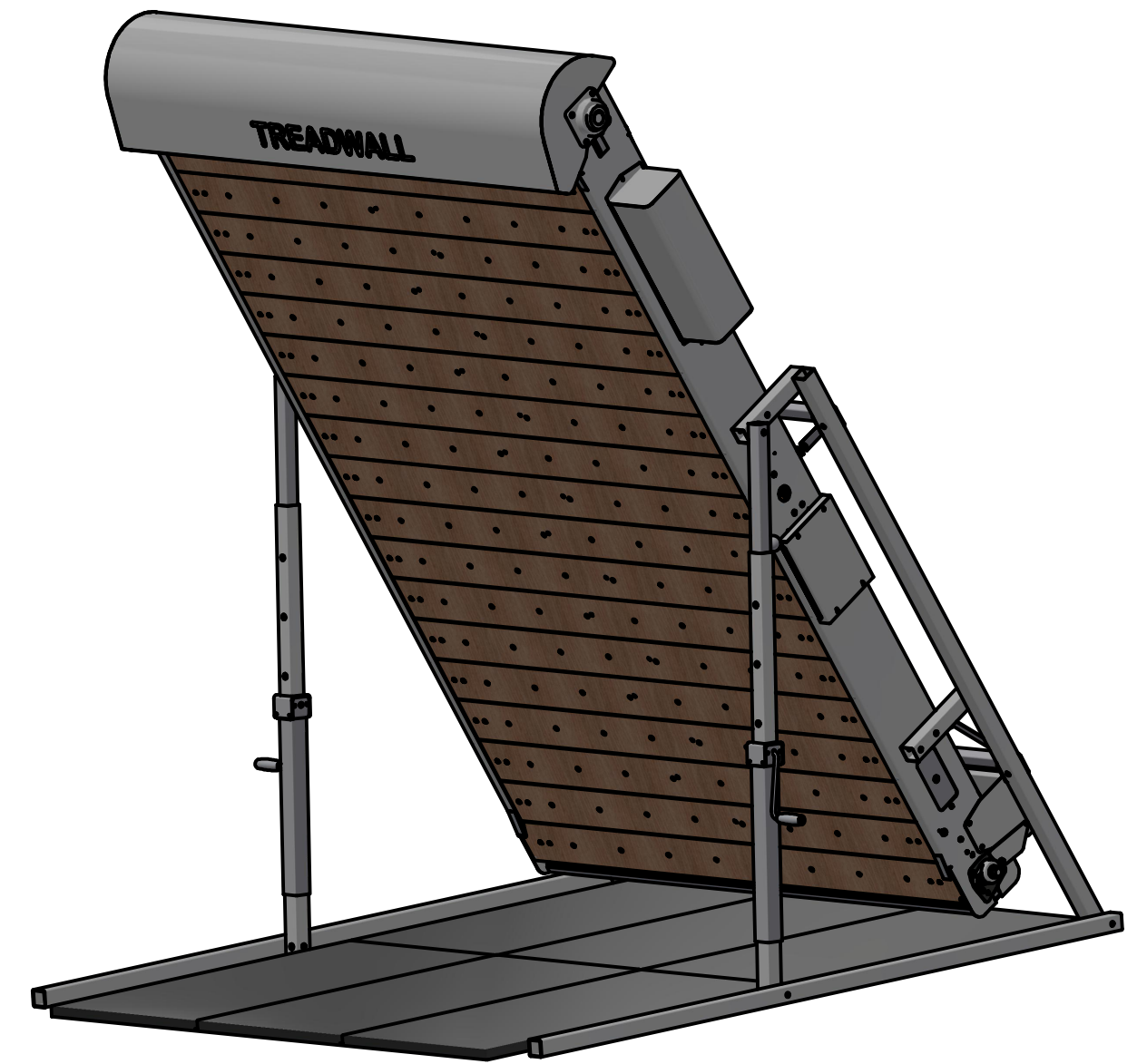


Front View



Side View

The Treadwall Kore6/11 is designed solely for residential, climbing focused use. It has a generously sized climbing surface - 6 foot (1.83 m) wide by 9 foot (2.75 m) high that encourages sideways as well as upward movement. The wall's rotation is powered by the climber's weight - no motors are used. The wall angle is adjusted using the hand crank system, which allows on-going adjustments through three broad ranges. A lever mounted on the right side adjusts the speed to suit the user, and a patented auto-stop(tm) mechanism matches the movement of the wall to the climber's movements, gently braking when the climber's feet are at the bottom panel. The Kore6/11 is designed to fit under a 11 foot (3.35 m) ceiling. See the Kore6/10 for lower ceilings. There is no Kore6/12 option.



SPECIFICATIONS:

- Weight:** 1121 pounds (508 Kg).
- Construction:** Steel framework with custom-machined wood panels.
- Frame color:** Anthracite Gray is standard.
- Panel color:** Natural Wood.
- Placement:** Inside standard - outside with exterior upgrade.
- Width of climbing surface:** 6 feet (1.83 m).
- Total length of climbing surface:** 20 feet (6.1 m).
- Number of possible hold placements:** 320.
- Maximum hold size:** 2.5 inches (63.5 mm) high by 6 inches (152 mm) wide.
- Angle range:** negative 5 degrees to negative 35 degrees (overhanging).
- Mode of control:** Electro-hydraulic braking and resistance.
- Electrical requirements:** 9 VDC (1500ma) Plug-in transformer (supplied) or battery used.
- Warranty:** Two years parts. See full warranty for details.

OPTIONS:

- Exterior upgrade:** Frame is galvanized and wood panels are coated with an exterior grade coating.
- Custom color:** Custom frame colors are available, contact us for your color
- Holds*:** Set of 45 custom training holds in 3 color groups.
- Training rungs:** 14 ladder Line(tm) wood rungs.
- Floor Mat*:** 8 feet (2.44 m) x 6 feet (1.83 m) custom mat, 1.25 inches (31.75 mm) dual foam, black 14 oz. vinyl cover.
- Electronic Display*:** Measures distance (feet or meters), time and calories. Time and distance goals can be pre-set.

*Included with Pro-package

Angle	Kore 10 (in)	Kore 10 (m)	Kore 11 (in)	Kore 11 (m)
5°	121.44	3.08	132	3.35
10°	117	2.97	130	3.3
15°	114.5	2.91	126.5	3.21
20°	111	2.82	122.5	3.11
25°	106.5	2.71	117.5	2.98
30°	102	2.59	113.5	2.88
35°	96.33	2.45	106	2.69