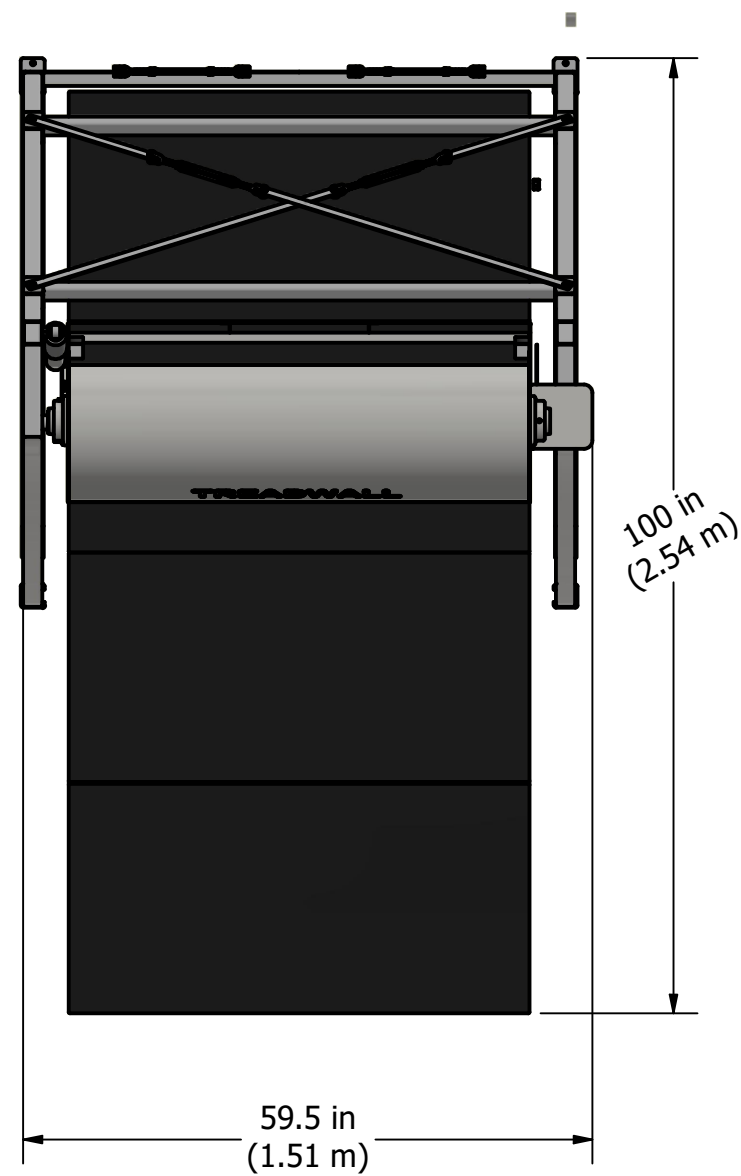
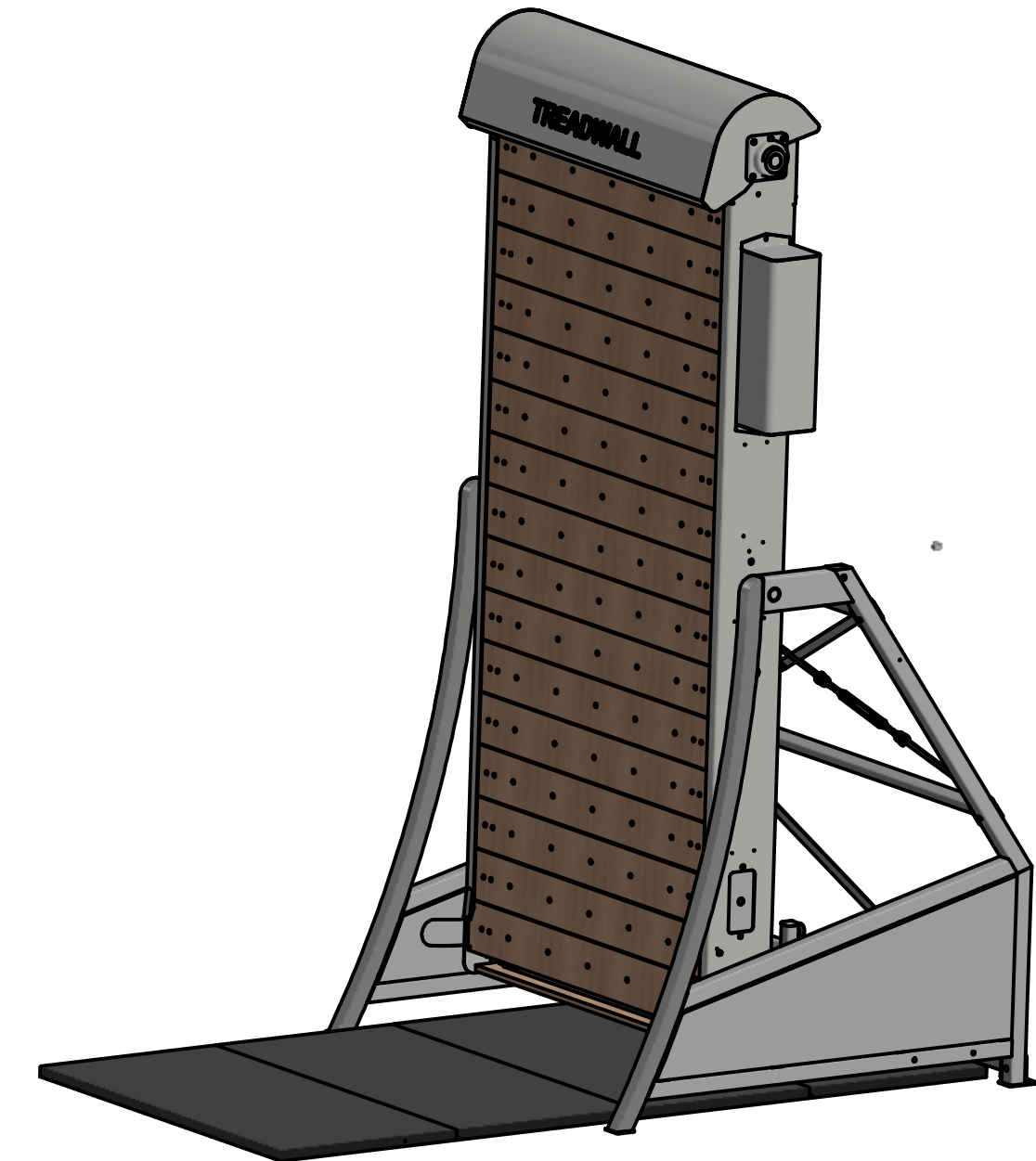
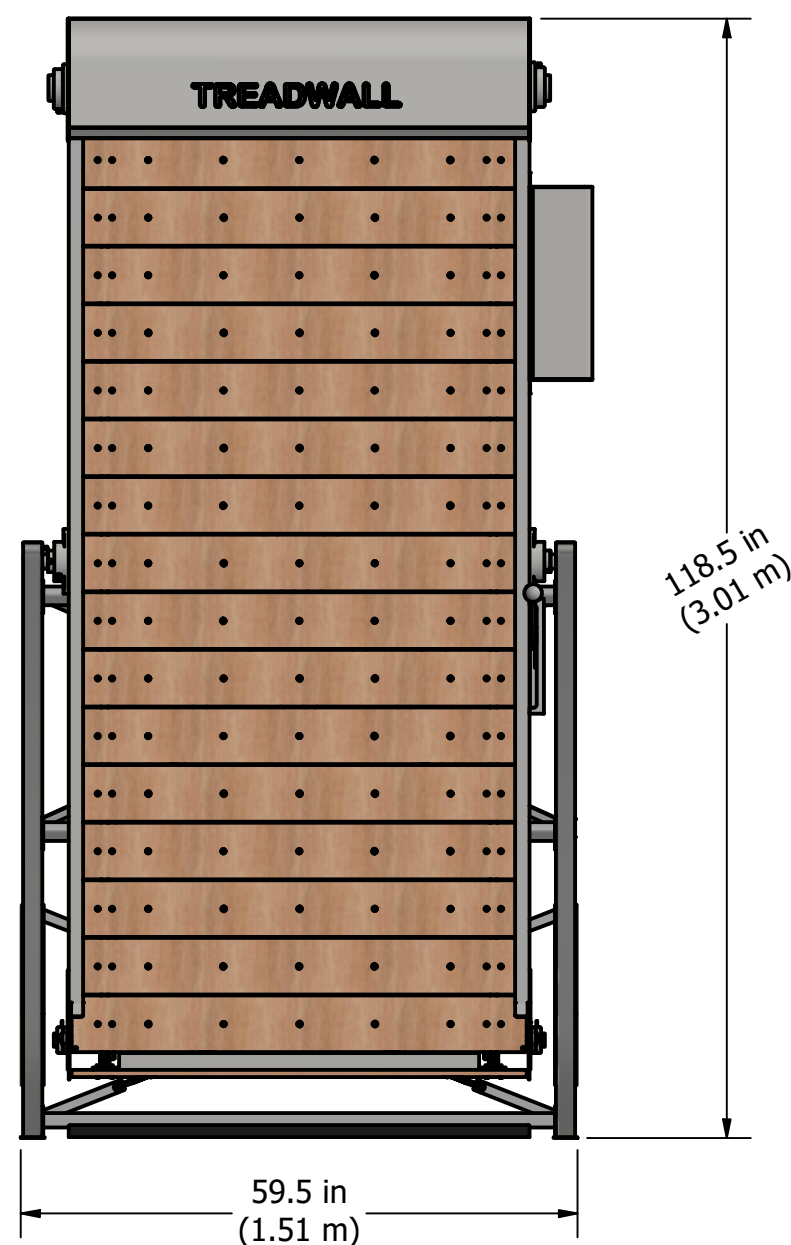


# Treadwall® Max4/10 Rotating Walls

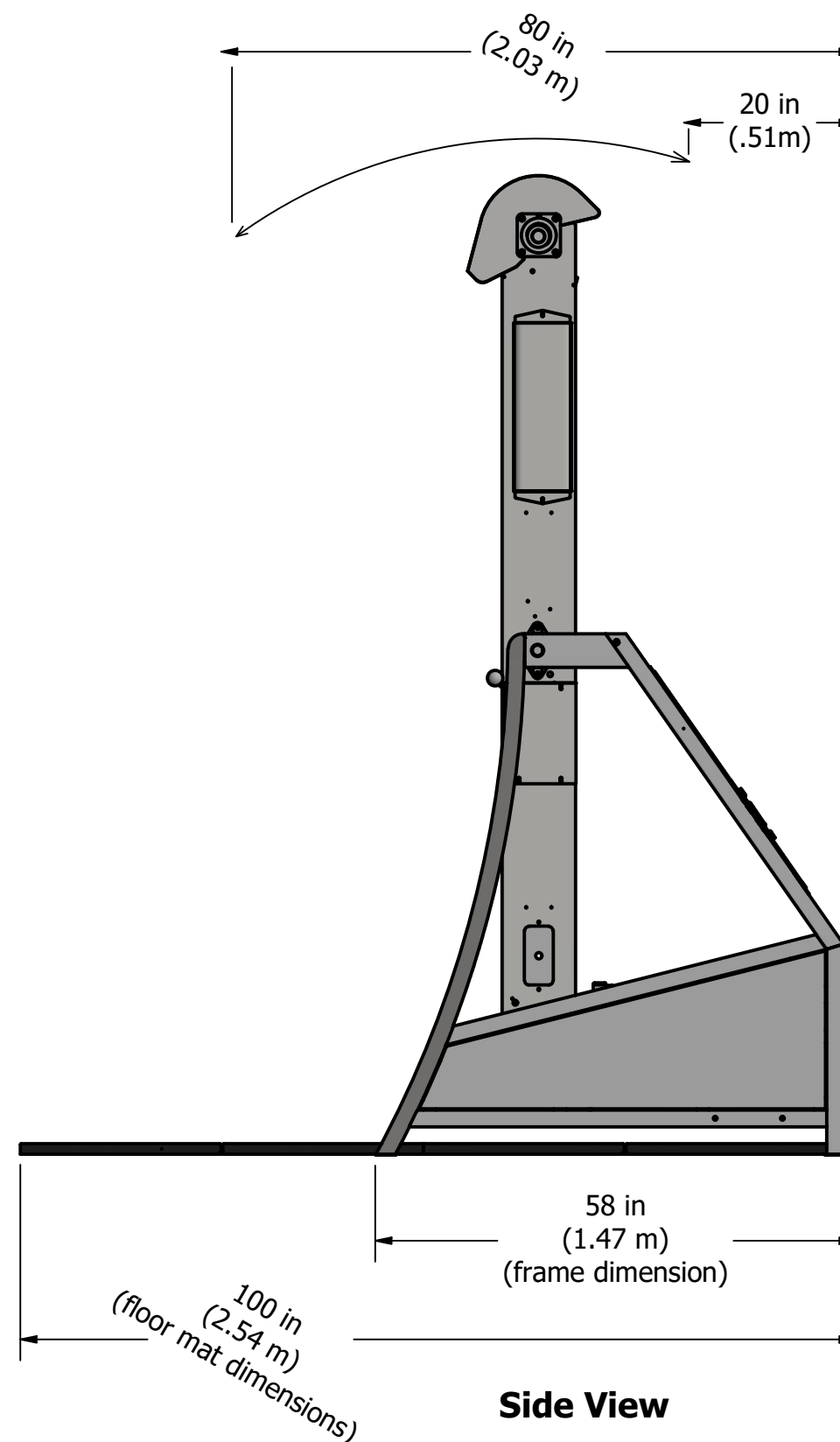
The Treadwall Max4/10 offers the intensity of the Max frame under a lower ceiling. It has a compact climbing surface - 4 foot (1.22 m) wide by 8 foot (3.44 m) - that encourages true vertical movement in a small space. The wall's rotation is powered by the climber's weight - no motors are used. The angle of the surface is adjusted by a lever mounted on the left side. A second lever mounted on the right side adjusts the speed to suit the user, and a patented auto-stop(tm) mechanism matches the movement of the wall to the climber's movements, gently braking when the climber's feet are at the bottom panel. The Max4/10 is designed to fit under a 10 foot (3.1 m) ceiling. See the Max4/11 and Max 4/12 units for higher ceilings.



**Top View**



**Front View**



**Side View**

## **SPECIFICATIONS:**

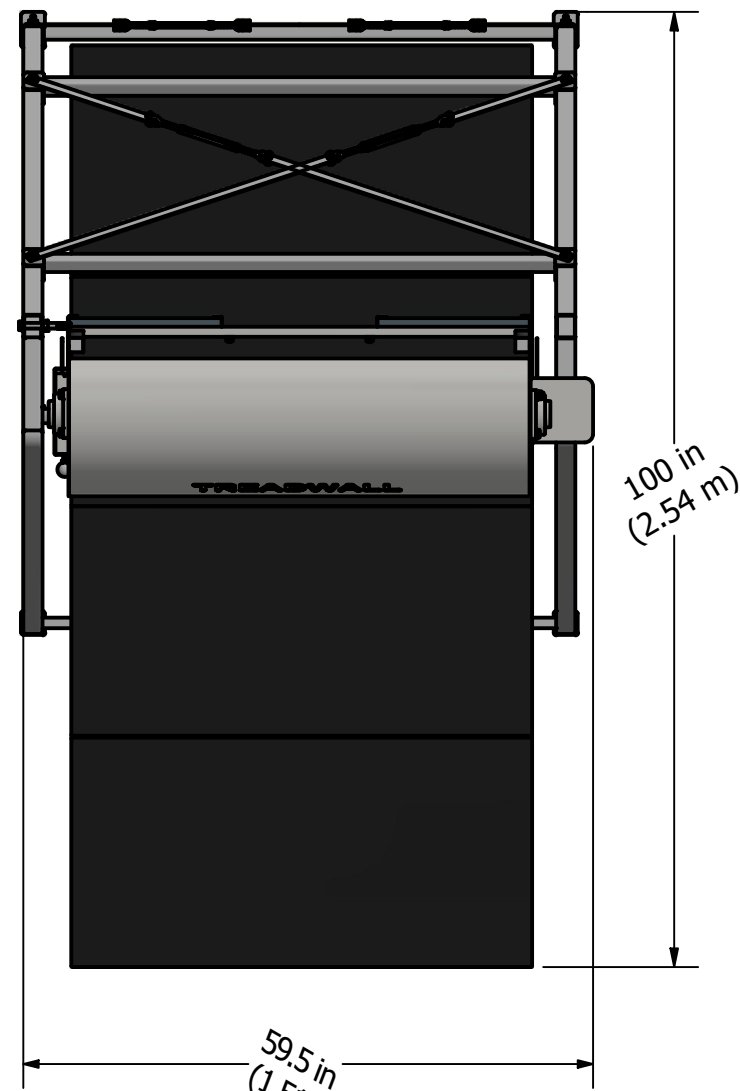
- Weight:** 1230 pounds (558 Kg).
- Construction:** Steel framework with custom-machined wood panels.
- Frame color:** Anthracite Gray is standard.
- Panel color:** Natural Wood.
- Placement:** Inside standard - outside with exterior upgrade.
- Width of climbing surface:** 4 feet (1.22 m).
- Total length of climbing surface:** 18 feet (5.49 m).
- Number of possible hold placements:** 180.
- Maximum hold size:** 2.5 inches (63.5 mm) high by 6 inches (152 mm) wide.
- Angle range:** positive 10 degrees to negative 35 degrees (overhanging).
- Mode of control:** Electro-hydraulic braking and resistance.
- Electrical requirements:** 9 VDC (1500ma) Plug-in transformer (supplied) or battery used.
- Warranty:** Six years parts, one year electronics and labor. See full warranty for details.

## **OPTIONS:**

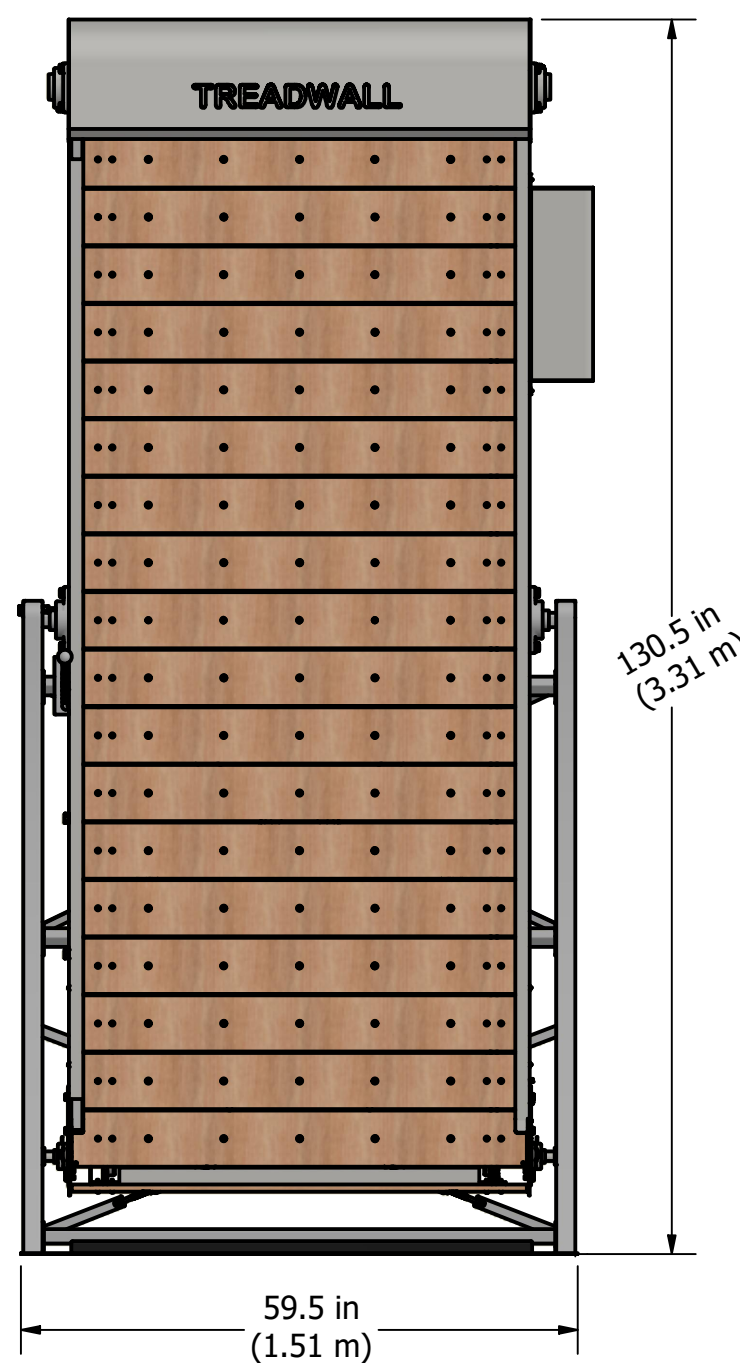
- Exterior upgrade:** Frame is galvanized and wood panels are coated with an exterior grade coating.
- Custom color:** Custom frame colors are available, contact us for your color
- Holds\*:** Set of 45 custom training holds in 3 color groups.
- Training rungs:** 14 ladder Line(tm) wood rungs.
- Floor Mat\*:** 8 feet (2.44 m) x 4 feet (1.22 m) custom mat, 1.25 inches (31.75 mm) dual foam, black 14 oz. vinyl cover.
- Electronic Display\*:** Measures distance (feet or meters), time and calories. Time and distance goals can be pre-set.

\*Included with Pro-package

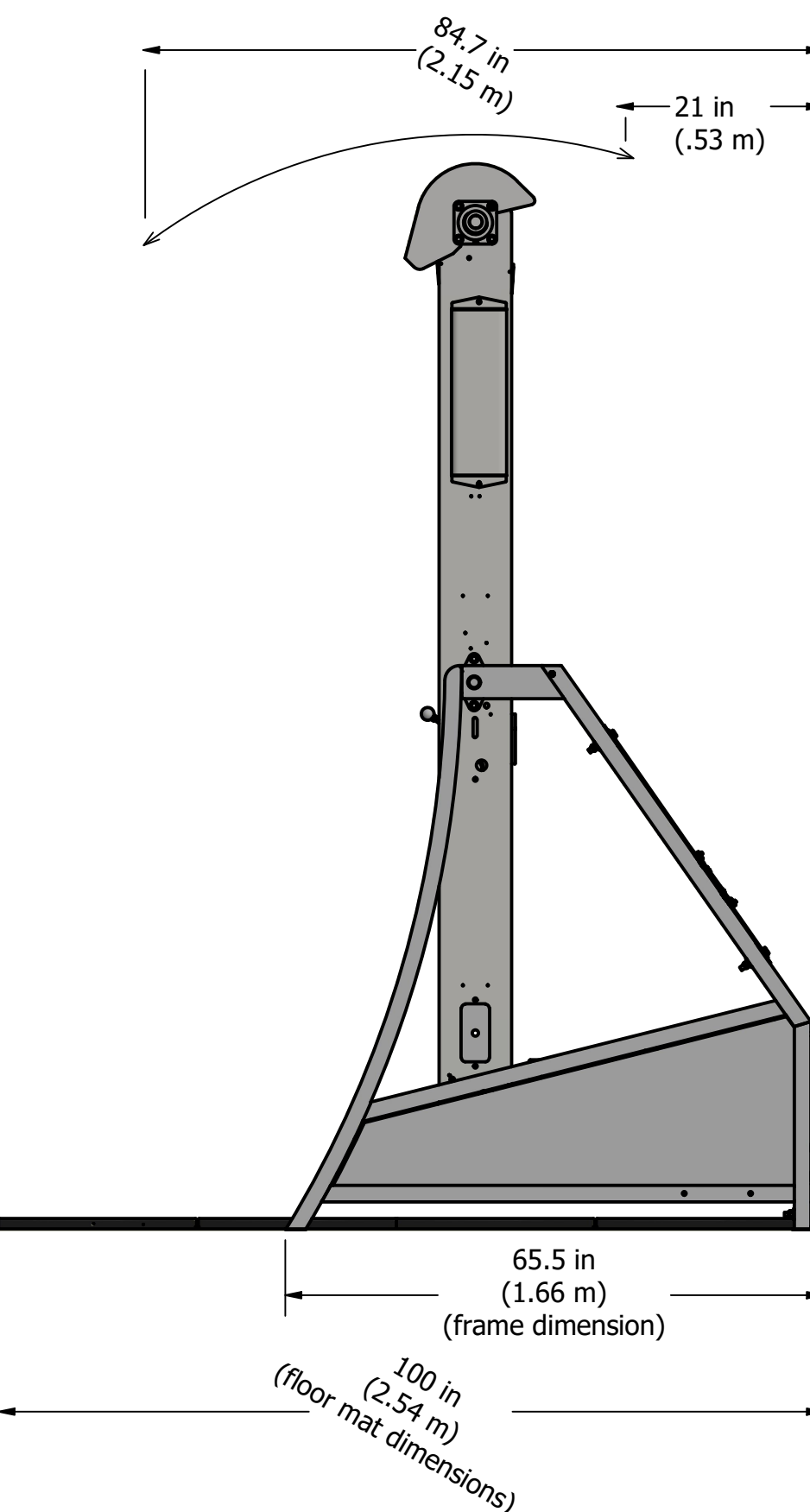
# Treadwall® Max4/11 Rotating Walls



**Top View**

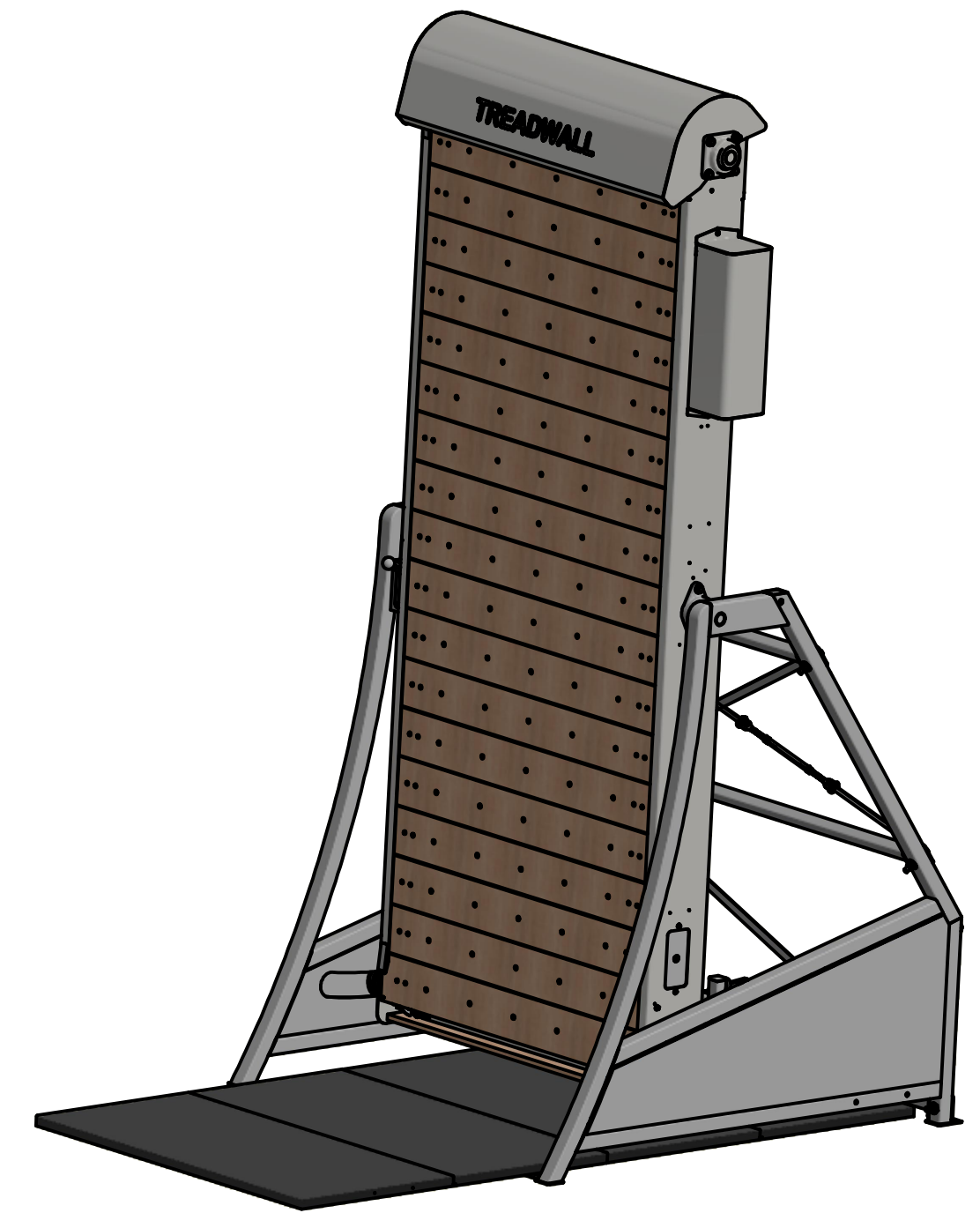


**Front View**



**Side View**

The Treadwall Max4/11 offers the intensity of the Max frame with a compact climbing surface - 4 foot (1.22 m) wide by 9 foot (2.75 m) - that encourages true vertical movement in a small space. The wall's rotation is powered by the climber's weight - no motors are used. The angle of the surface is adjusted by a lever mounted on the left side. A second lever mounted on the right side adjusts the speed to suit the user, and a patented auto-stop(tm) mechanism matches the movement of the wall to the climber's movements, gently braking when the climber's feet are at the bottom panel. The Max4/11 is designed to fit under a 11 foot (3.35 m) ceiling. See the Max4/10 for lower ceilings and Max 4/12 units for higher ceilings.



## **SPECIFICATIONS:**

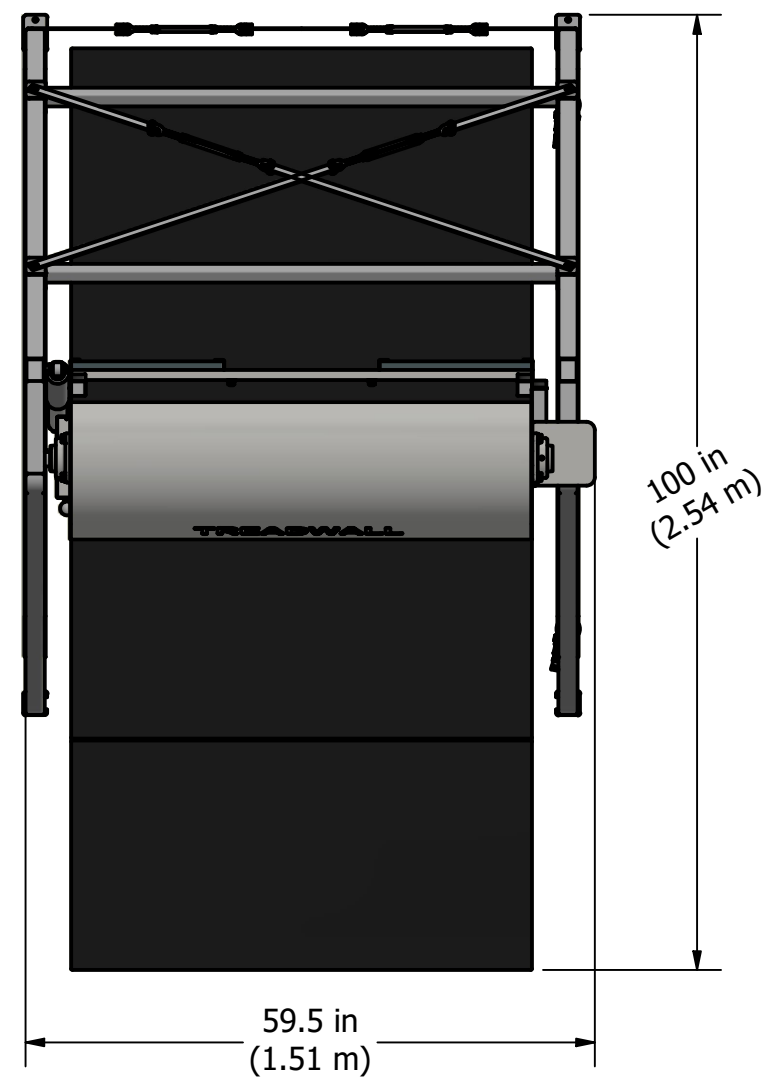
- Weight:** 1260 pounds (572 Kg).
- Construction:** Steel framework with custom-machined wood panels.
- Frame color:** Anthracite Gray is standard.
- Panel color:** Natural Wood.
- Placement:** Inside standard - outside with exterior upgrade.
- Width of climbing surface:** 4 feet (1.22 m).
- Total length of climbing surface:** 20 feet (6.1 m).
- Number of possible hold placements:** 200.
- Maximum hold size:** 2.5 inches (63.5 mm) high by 6 inches (152 mm) wide.
- Angle range:** positive 10 degrees to negative 35 degrees (overhanging).
- Mode of control:** Electro-hydraulic braking and resistance.
- Electrical requirements:** 9 VDC (1500ma) Plug-in transformer (supplied) or battery used.
- Warranty:** Six years parts, one year electronics and labor. See full warranty for details.

## **OPTIONS:**

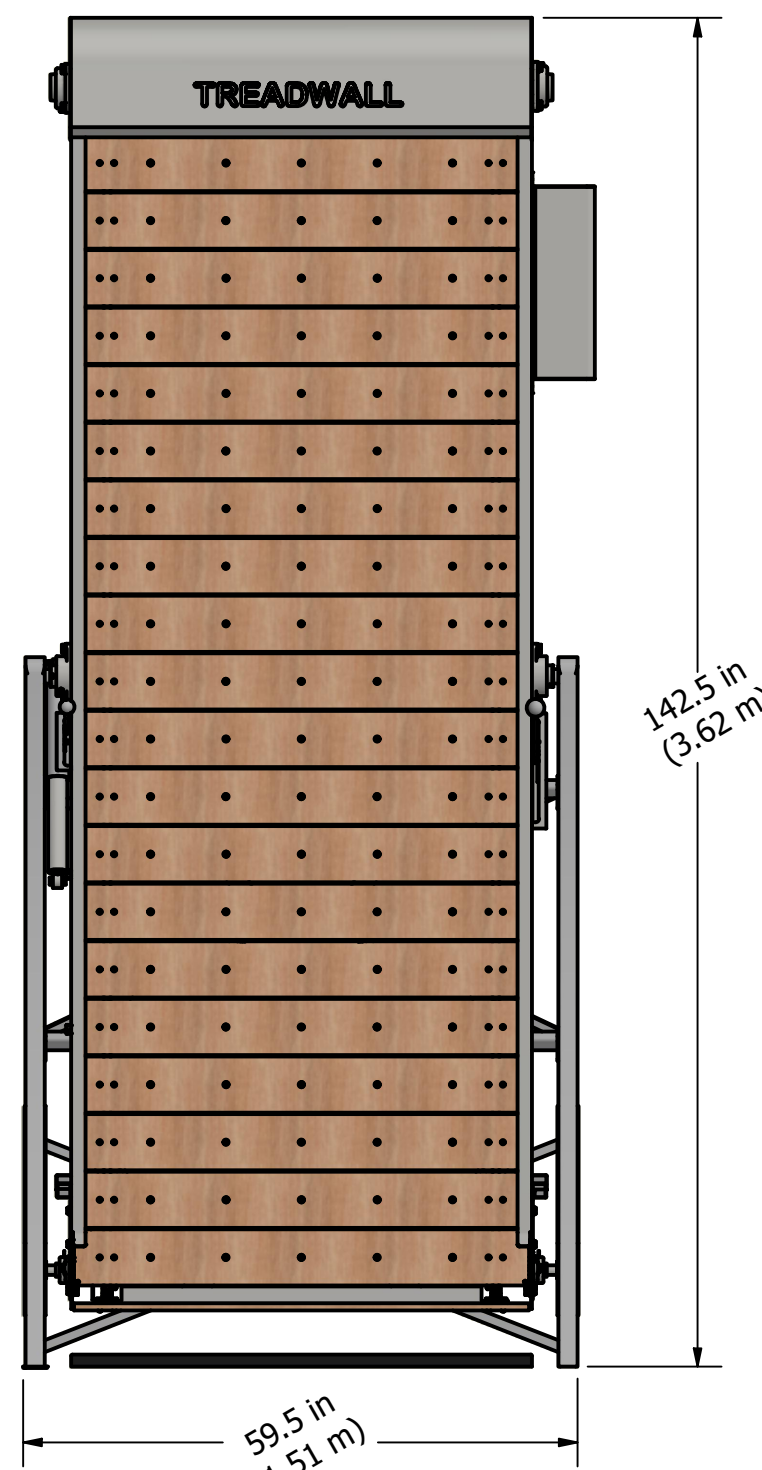
- Exterior upgrade:** Frame is galvanized and wood panels are coated with an exterior grade coating.
- Custom color:** Custom frame colors are available, contact us for your color
- Holds\*:** Set of 45 custom training holds in 3 color groups.
- Training rungs:** 14 ladder Line(tm) wood rungs.
- Floor Mat\*:** 8 feet (2.44 m) x 4 feet (1.22 m) custom mat, 1.25 inches (31.75 mm) dual foam, black 14 oz. vinyl cover.
- Electronic Display\*:** Measures distance (feet or meters), time and calories. Time and distance goals can be pre-set.

\*Included with Pro-package

# Treadwall® Max4/12 Rotating Walls

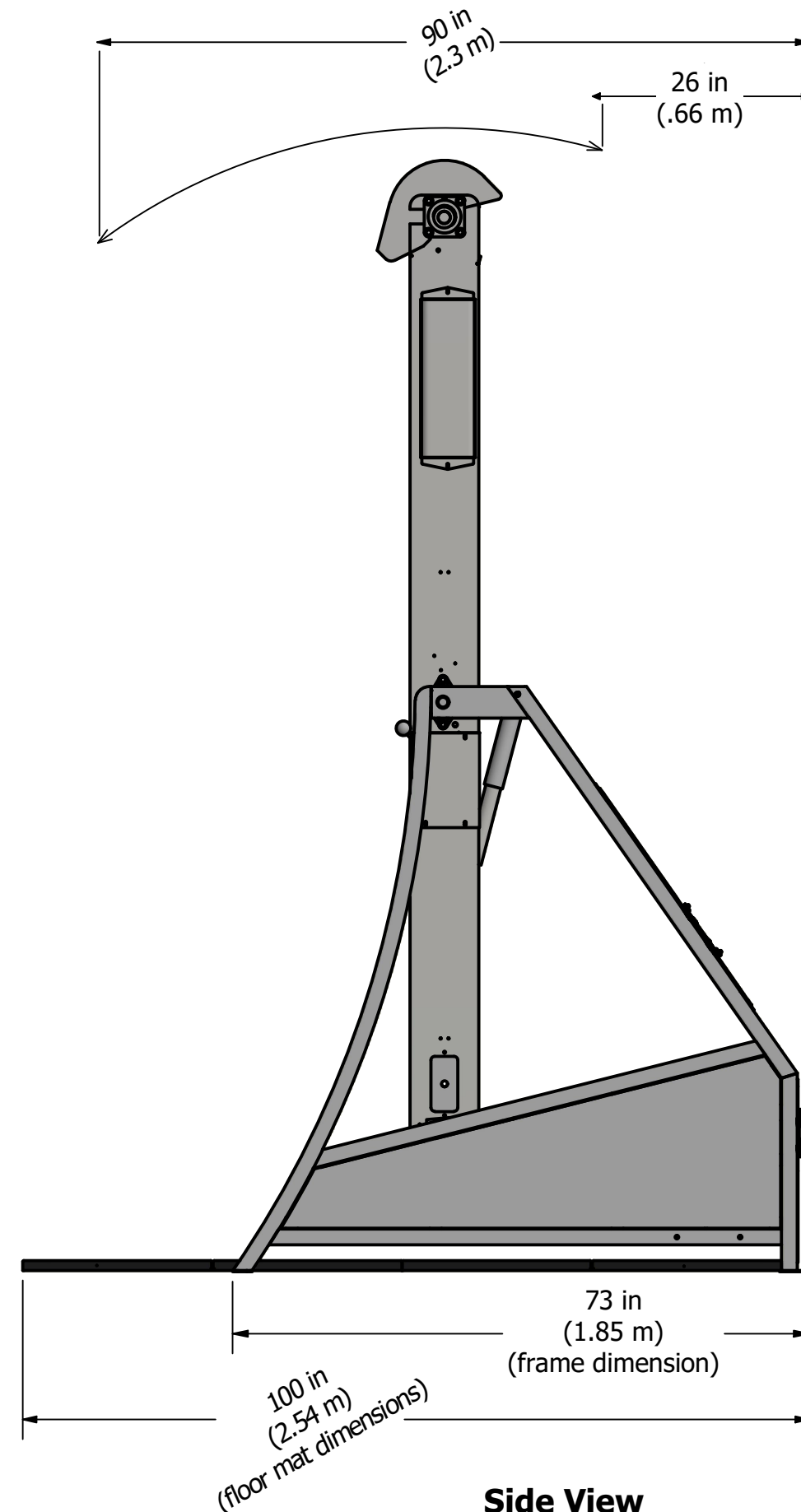


Top View

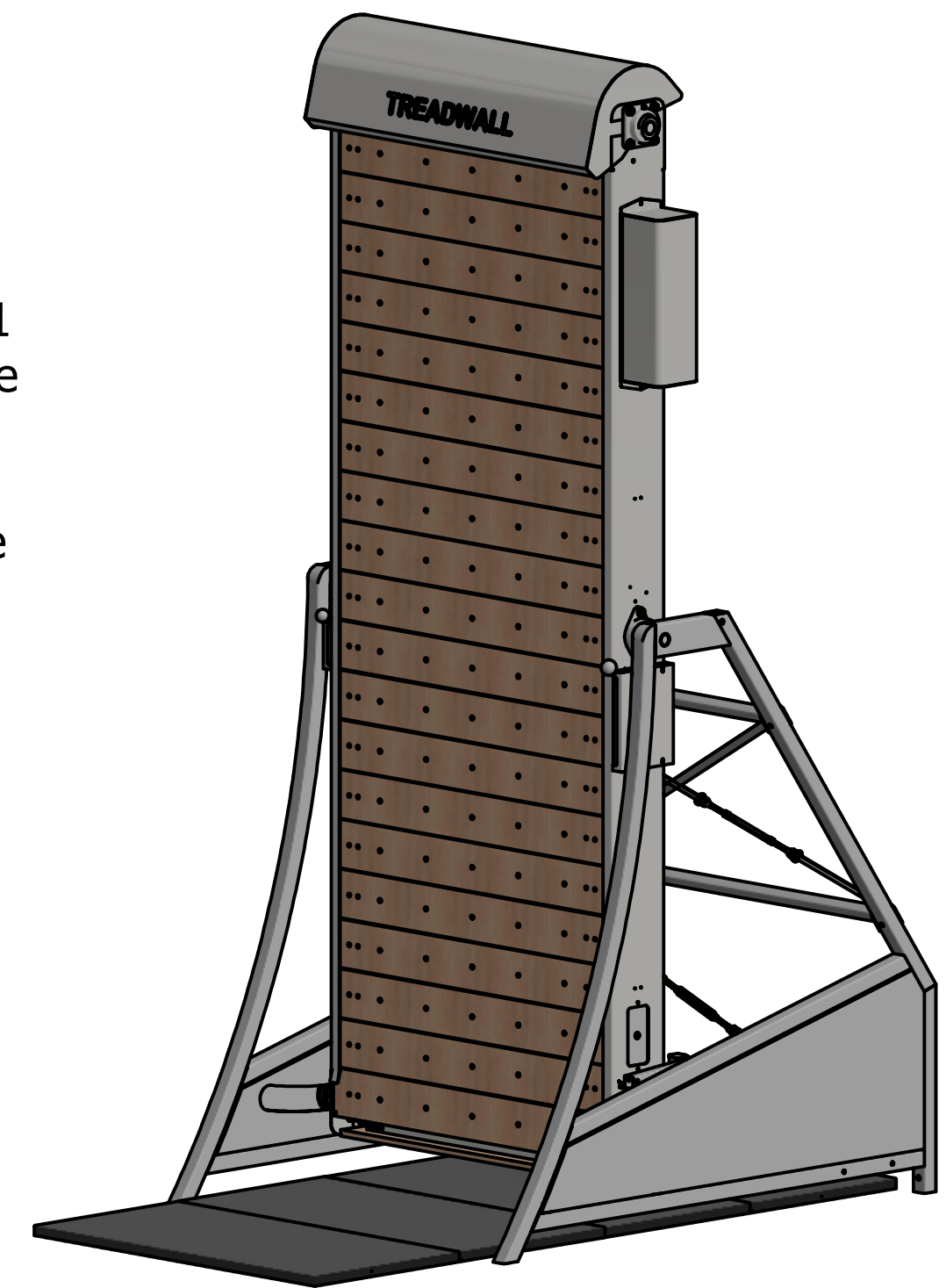


Front View

The Treadwall Max4/12 offers the intensity of the Max frame with a compact climbing surface - 4 foot (1.22 m) wide by 10 foot (3.1 m) - that encourages true vertical movement in a small space. The wall's rotation is powered by the climber's weight - no motors are used. The angle of the surface is adjusted by a lever mounted on the left side. A second lever mounted on the right side adjusts the speed to suit the user, and a patented auto-stop(tm) mechanism matches the movement of the wall to the climber's movements, gently braking when the climber's feet are at the bottom panel. The Max4/12 is designed to fit under a 12 foot (3.66 m) ceiling. See the Max4/10 and Max4/11 units for lower ceilings.



Side View



## SPECIFICATIONS:

- Weight:** 1290 pounds (567 Kg).
- Construction:** Steel framework with custom-machined wood panels.
- Frame color:** Anthracite Gray is standard.
- Panel color:** Natural Wood.
- Placement:** Inside standard - outside with exterior upgrade.
- Width of climbing surface:** 4 feet (1.22 m).
- Total length of climbing surface:** 22 feet (6.71 m).
- Number of possible hold placements:** 220.
- Maximum hold size:** 2.5 inches (63.5 mm) high by 6 inches (152 mm) wide.
- Angle range:** positive 10 degrees to negative 35 degrees (overhanging).
- Mode of control:** Electro-hydraulic braking and resistance.
- Electrical requirements:** 9 VDC (1500ma) Plug-in transformer (supplied) or battery used.
- Warranty:** Six years parts, one year electronics and labor. See full warranty for details.

## OPTIONS:

- Exterior upgrade:** Frame is galvanized and wood panels are coated with an exterior grade coating.
- Custom color:** Custom frame colors are available, contact us for your color
- Holds\*:** Set of 45 custom training holds in 3 color groups.
- Training rungs:** 14 ladder Line(tm) wood rungs.
- Floor Mat\*:** 8 feet (2.44 m) x 4 feet (1.22 m) custom mat, 1.25 inches (31.75 mm) dual foam, black 14 oz. vinyl cover.
- Electronic Display\*:** Measures distance (feet or meters), time and calories. Time and distance goals can be pre-set.

\*Included with Pro-package