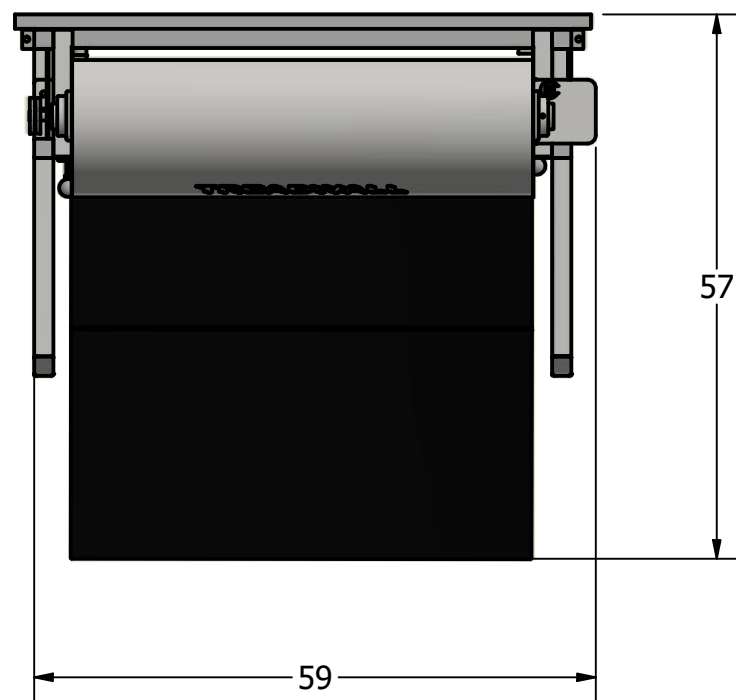
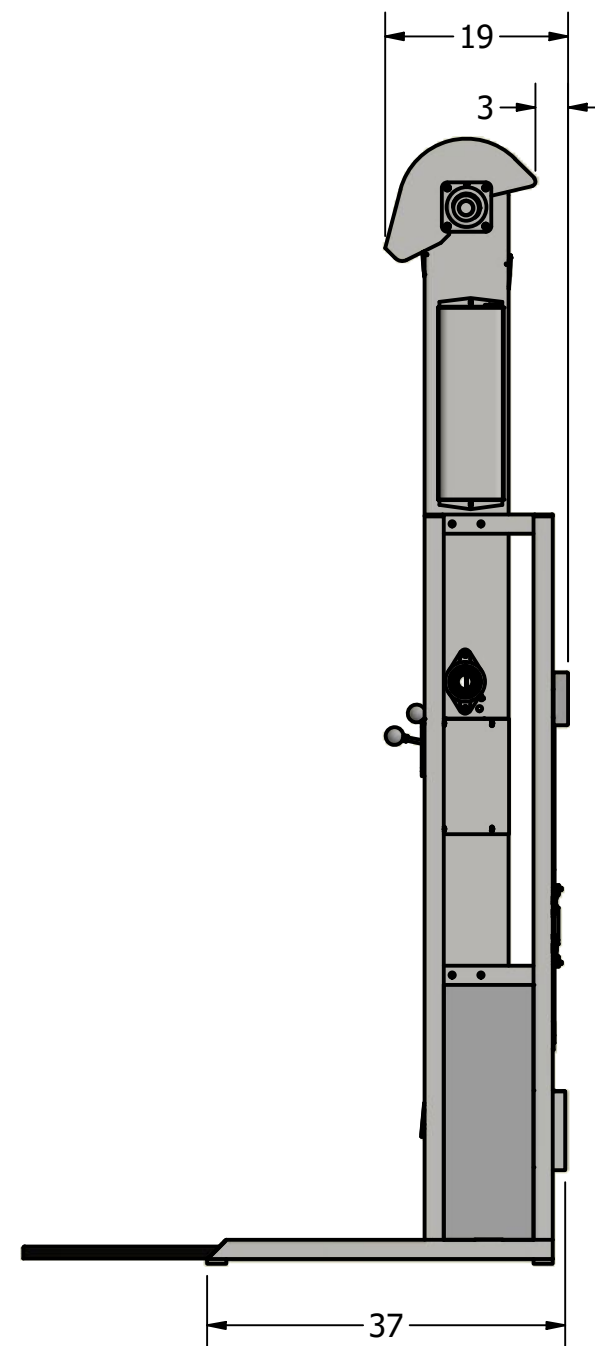
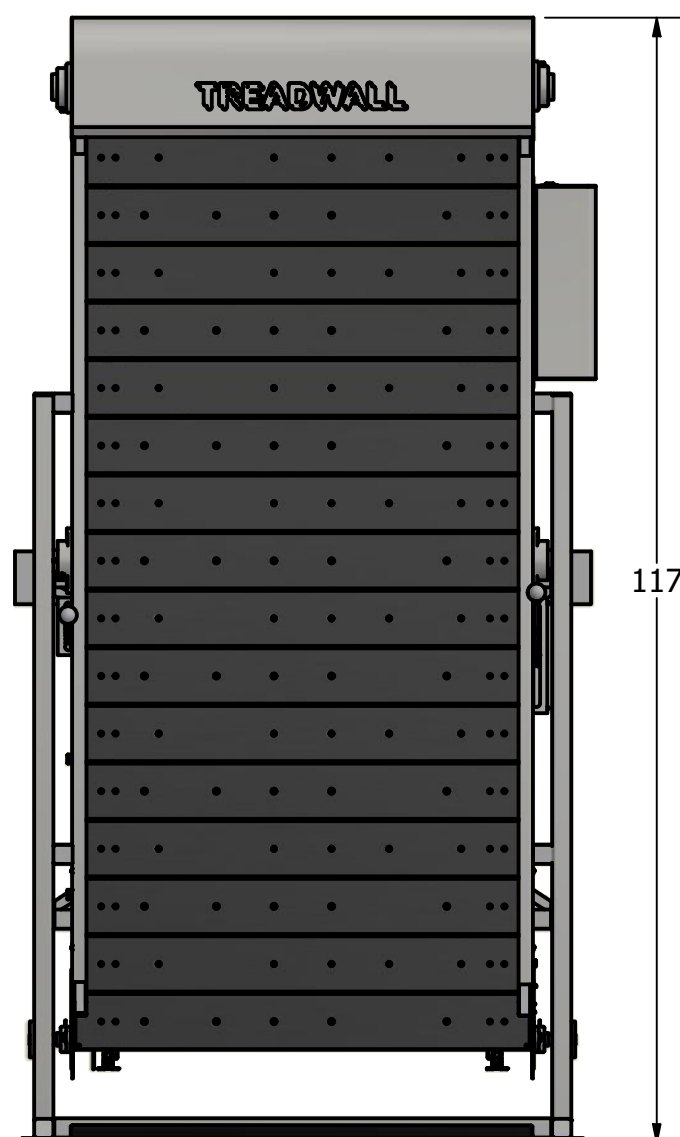
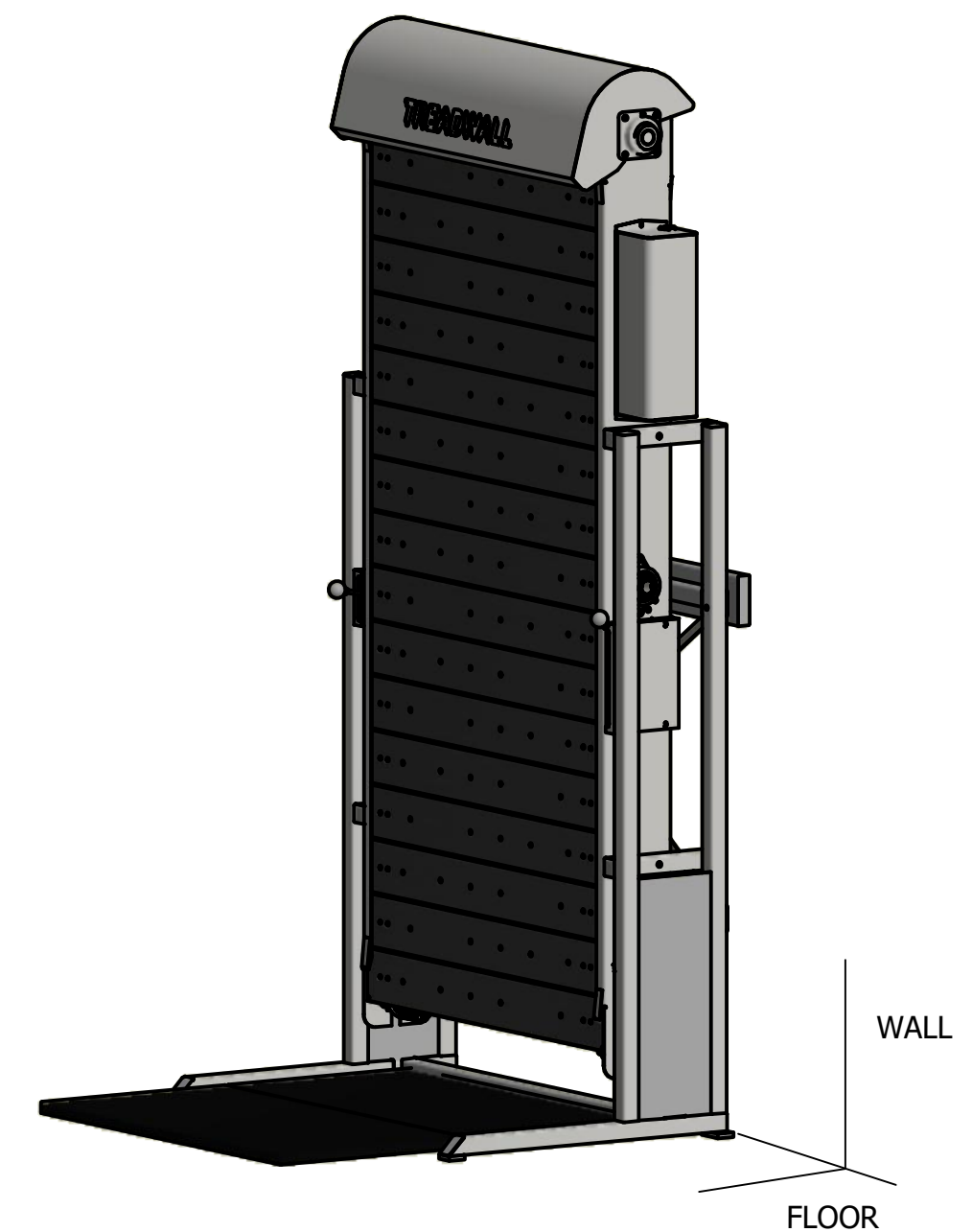


Treadwall® V4/10 Rotating Walls



The Treadwall V4/10 is a vertical-only design that offers climbing with the absolute minimum footprint. Although it is freestanding it must be located against a building wall. The wall's rotation is powered by the climber's weight - no motors are used. A lever mounted on the right side adjusts the speed to suit the user, and a patented auto-stop^(tm) mechanism matches the movement of the wall to the climber's movements, gently braking when the climber's feet are at the bottom panel. The V4/10 is designed to fit under a 10 foot ceiling. See the V4/11 for higher ceilings. There is no V4/12 option.



SPECIFICATIONS:

Weight: 750 pounds.

Construction: Steel framework with custom-machined wood panels.

Placement: Inside standard - outside with exterior upgrade.

Width of climbing surface: 4 feet.

Total length of climbing surface: 18 feet.

Number of possible hold placements: 144.

Angle range: vertical only.

Mode of control: Electro-hydraulic braking and resistance.

Electrical requirements: 9 VDC (1500ma) Plug-in transformer (supplied) or battery used.

Electronic Display: Measures distance (feet or meters), time and calories.

Time and distance goals can be pre-set.

Color - frame: Anthracite Gray is standard. Custom colors available.

Color - panels: Natural Wood

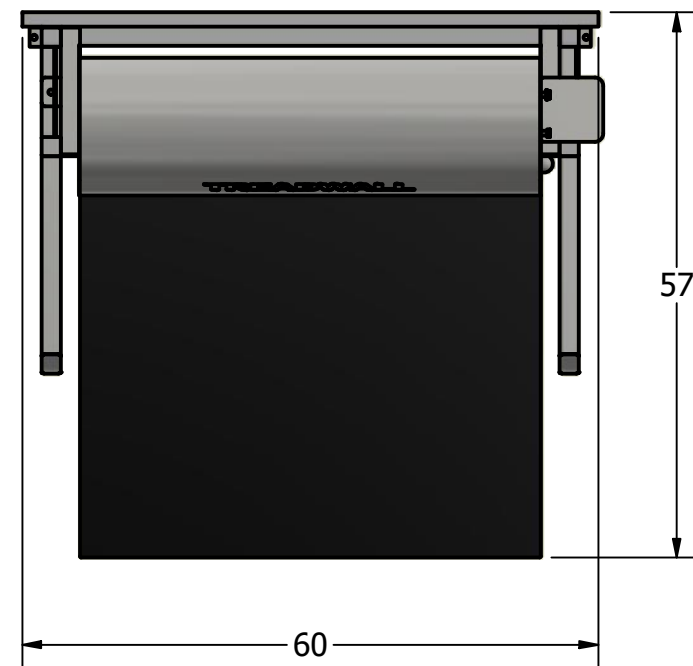
Holds: Set of 36 custom training holds in 3 color groups, with optional 13 ladder Line^(tm) holds.

Maximum hold size: 2.5 inches high by 6 inches wide.

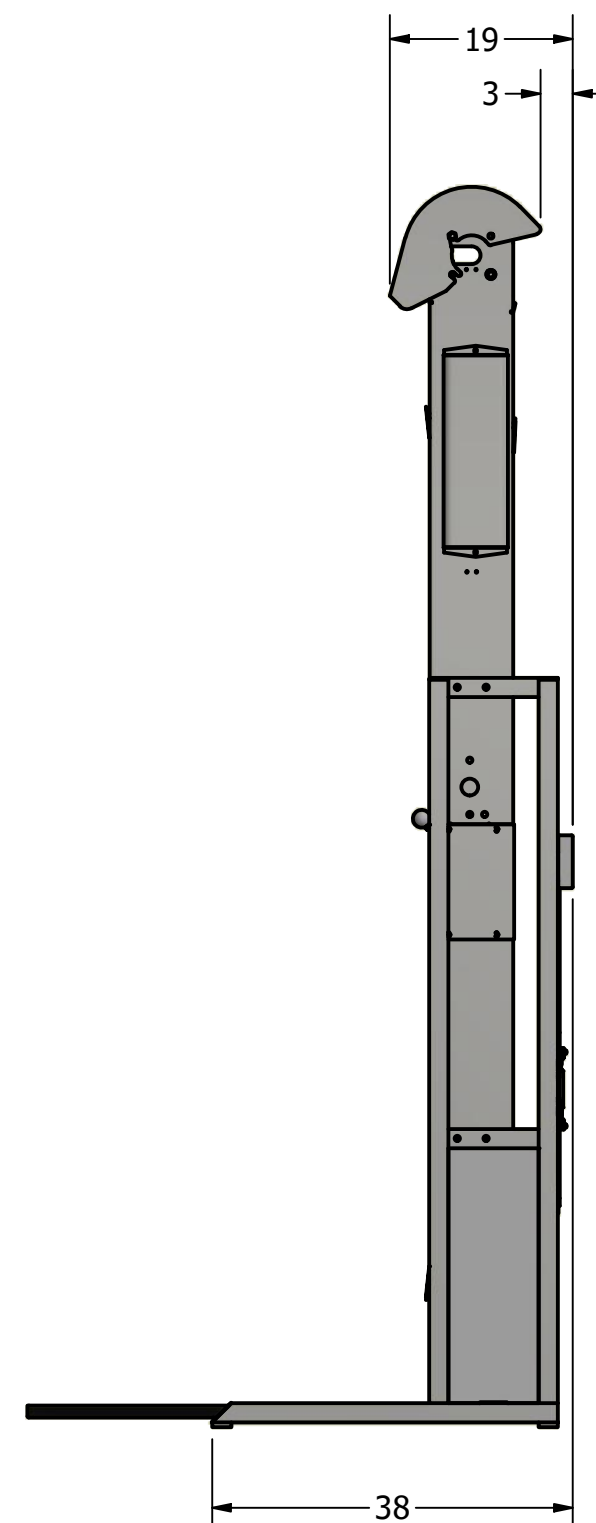
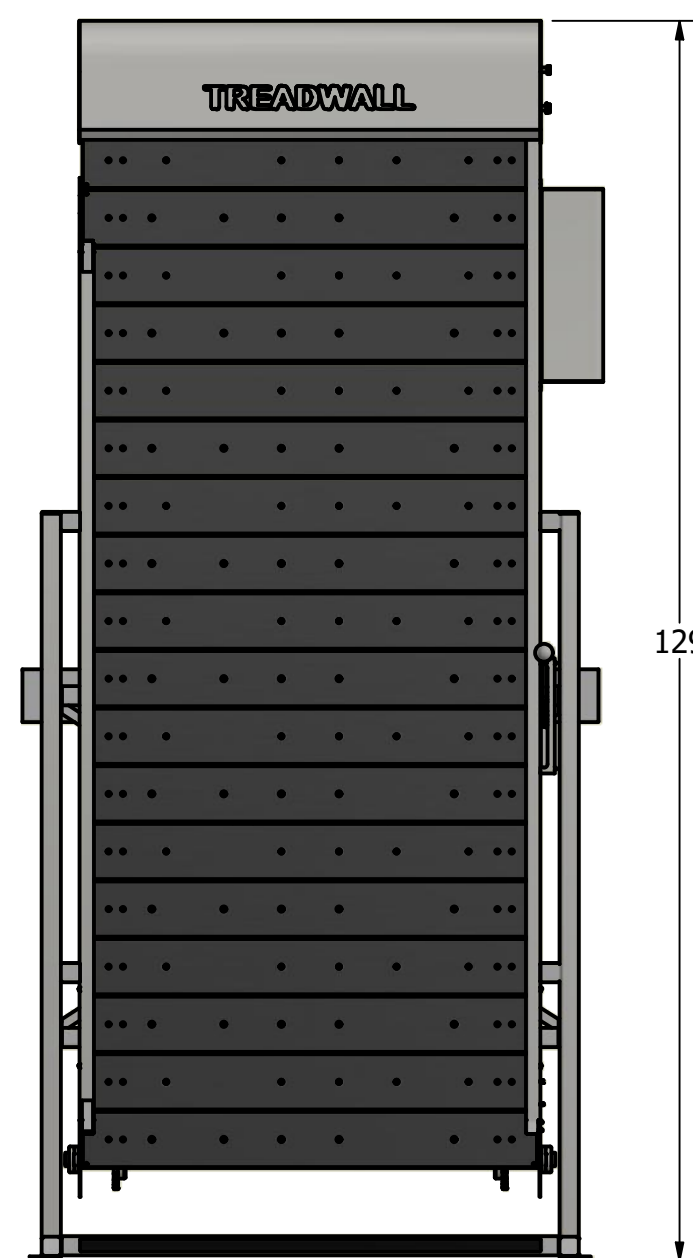
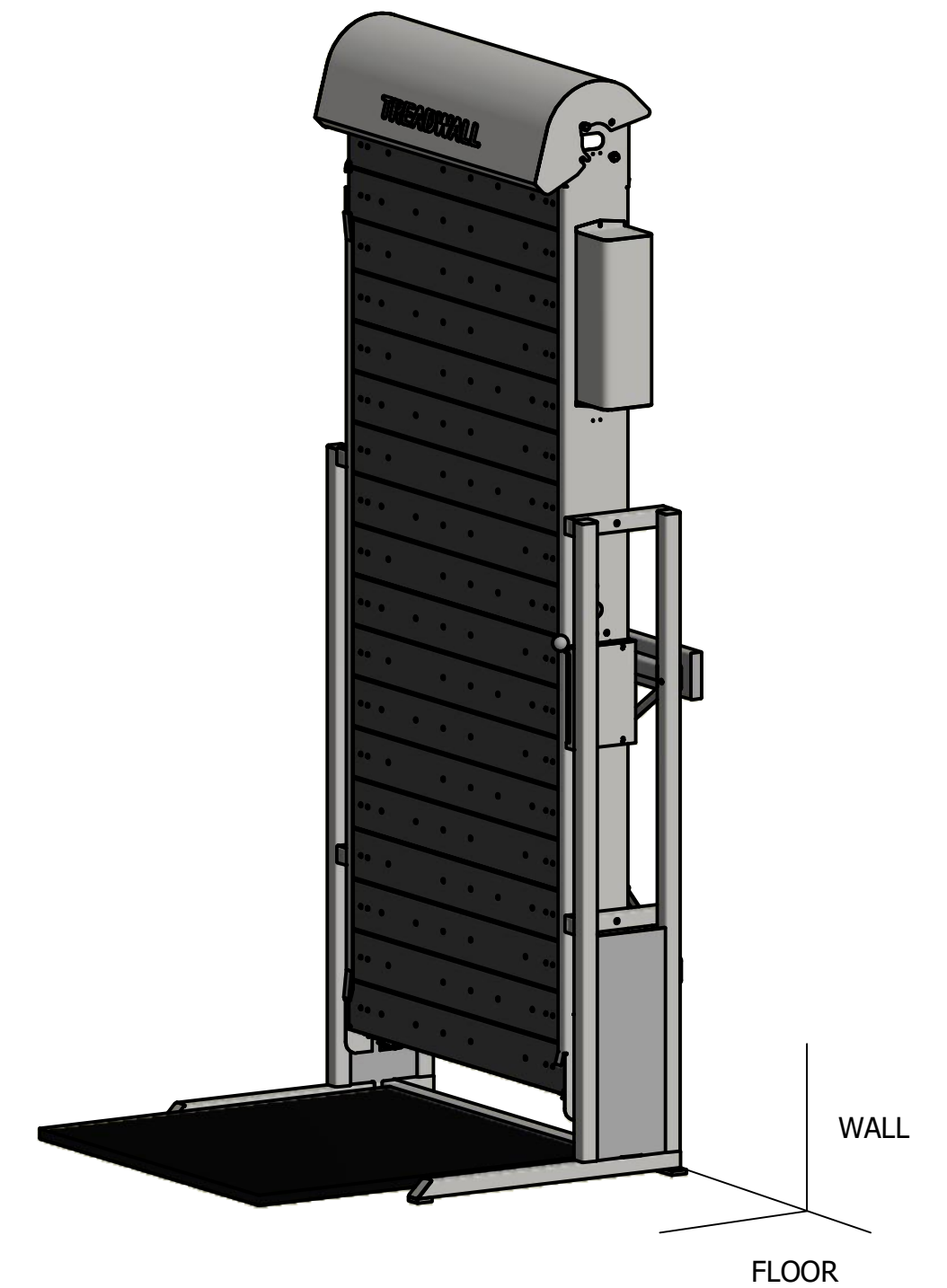
Floor Mat: 4 feet x 4 feet custom mat, 1.25 inches dual foam, black 14 oz. vinyl cover.

Warranty: Six years structural and moving parts, one year all parts and labor. See full warranty for details.

Treadwall® V4/11 Rotating Walls



The Treadwall V4/11 is a vertical-only design that offers full height climbing with the absolute minimum footprint. Although it is freestanding, it must be located against a building wall. The wall's rotation is powered by the climber's weight - no motors are used. A lever mounted on the right side adjusts the speed to suit the user, and a patented auto-stop^(tm) mechanism matches the movement of the wall to the climber's movements, gently braking when the climber's feet are at the bottom panel. The V4/11 is designed to fit under an 11 foot ceiling. See the V4/10 for lower ceilings. There is no V4/12 option.



SPECIFICATIONS:

Weight: 800 pounds.

Construction: Steel framework with custom-machined wood panels.

Placement: Inside standard - outside with exterior upgrade.

Width of climbing surface: 4 feet.

Total length of climbing surface: 20 feet.

Number of possible hold placements: 160.

Angle range: vertical only.

Mode of control: Electro-hydraulic braking and resistance.

Electrical requirements: 9 VDC (1500ma) Plug-in transformer (supplied) or battery used.

Electronic Display: Measures distance (feet or meters), time and calories.

Time and distance goals can be pre-set.

Color - frame: Anthracite Gray is standard. Custom colors available.

Color - panels: Natural wood

Holds: Set of 36 custom training holds in 3 color groups, with optional 13 ladder Line^(tm) holds.

Maximum hold size: 2.5 inches high by 6 inches wide.

Floor Mat: 4 feet x 4 feet custom mat, 1.25 inches dual foam, black 14 oz. vinyl cover.

Warranty: Six years structural and moving parts, one year all parts and labor. See full warranty for details