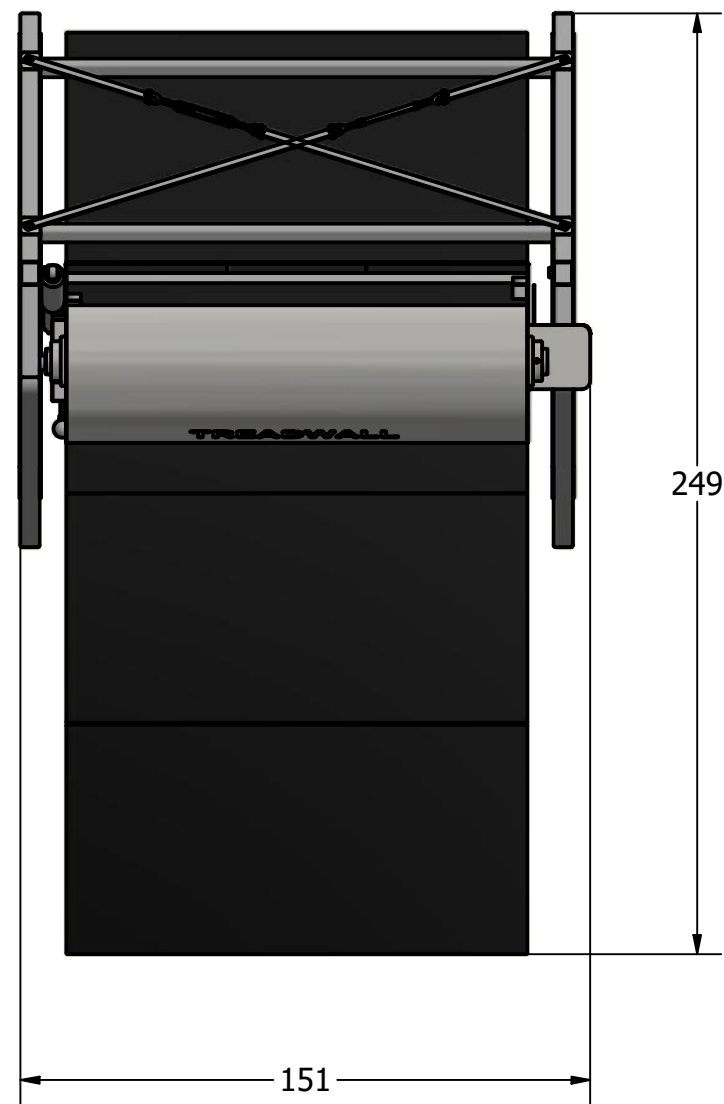
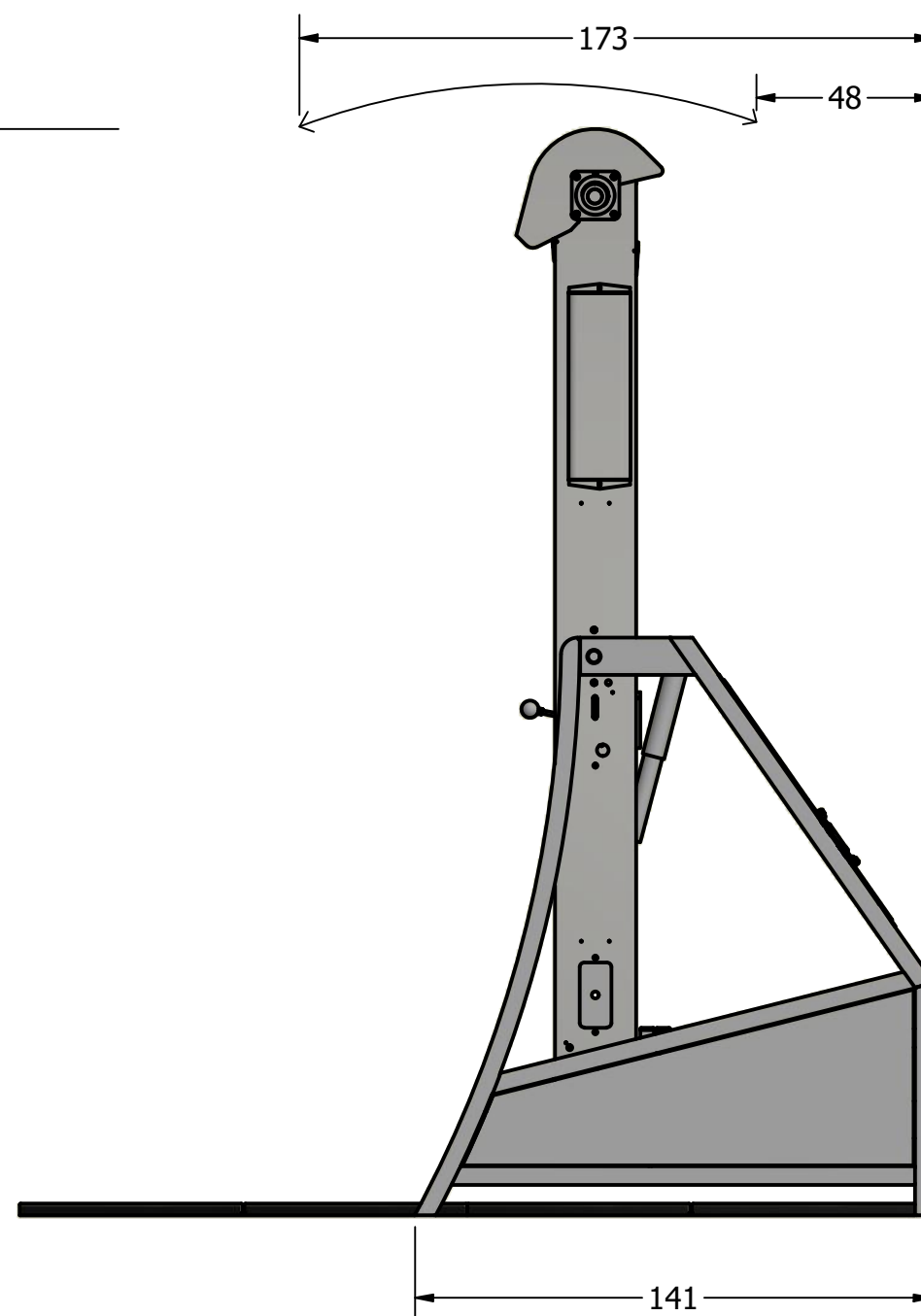
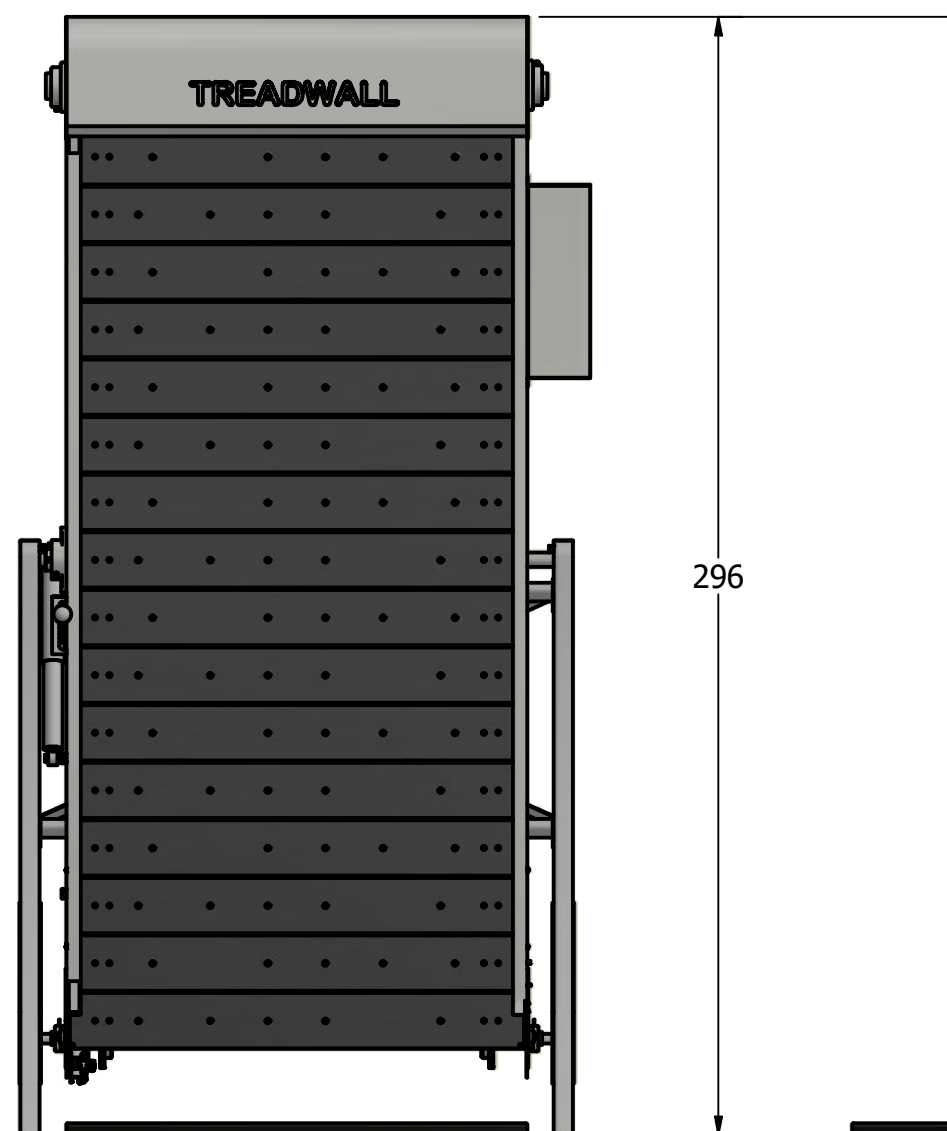
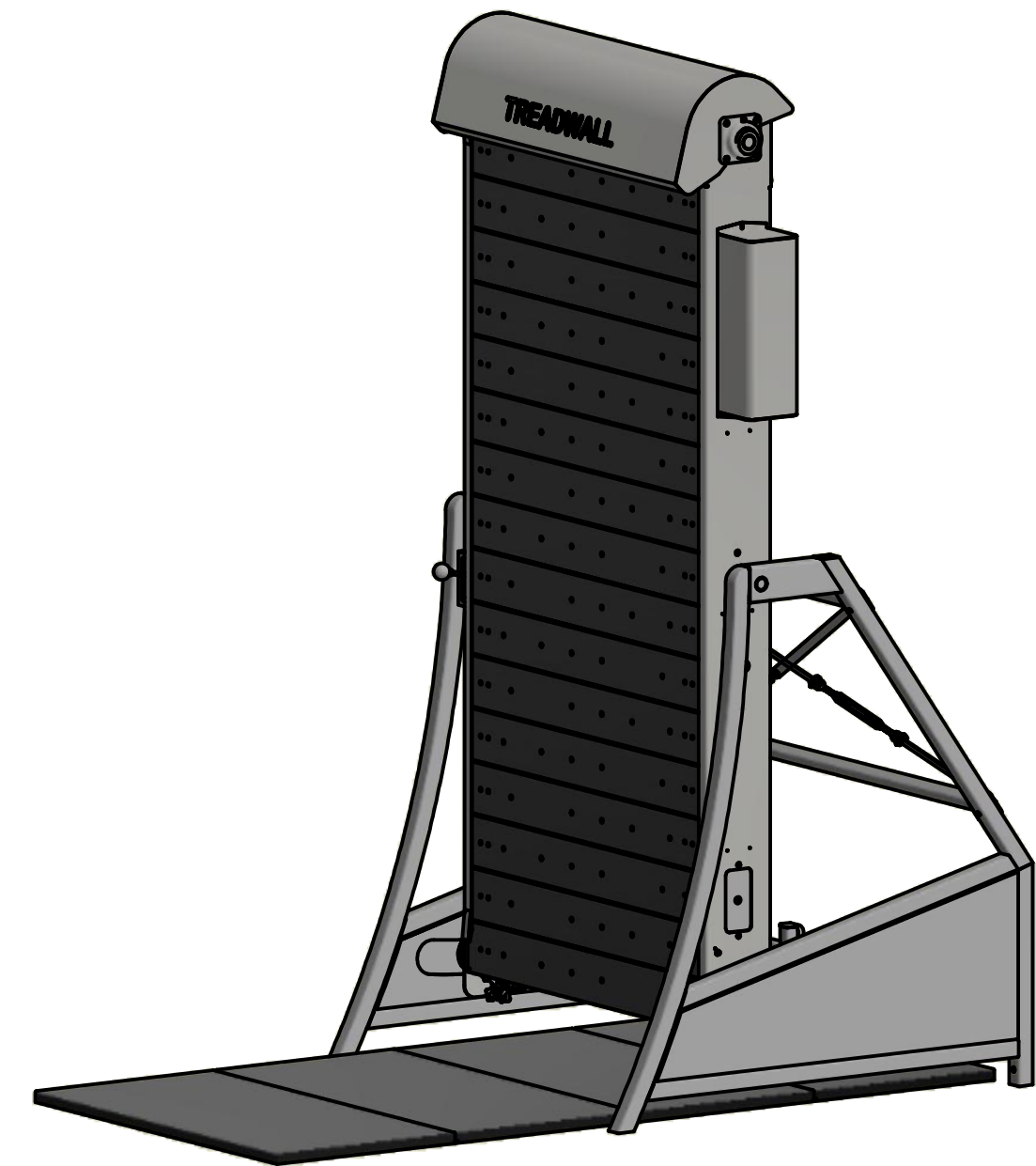


Treadwall® Max4/10 Rotating Walls



The Treadwall Max4/10 has our max angle range while maintaining a smaller footprint, perfect for smaller spaces and lower ceilings. At 3 meters tall, the Max4/10 has a 1.016 meter wide by 2.032 meter tall climbing surface. The wall's rotation is powered by the climber's weight - no motors are used. The angle of the surface is adjusted by a lever mounted on the left side. A second lever mounted on the right side adjusts the speed to suit the user, and a patented auto-stop^(tm) mechanism matches the movement of the wall to the climber's movements, gently braking when the climber's feet are at the bottom panel. The Max4/10 is designed to fit under a 3 meter ceiling. See the Max4/11 and Max4/12 for taller ceilings.



SPECIFICATIONS:

Weight: 458.54 kg.

Construction: Steel framework with custom-machined wood panels.

Placement: Inside standard - outside with exterior upgrade.

Width of climbing surface: 1.016 m.

Total length of climbing surface: 4.572 m.

Number of possible hold placements: 152.

Angle range: positive 10 degrees to negative 35 degrees (overhanging).

Mode of control: Electro-hydraulic braking and resistance.

Electrical requirements: 9 VDC (1500ma) Plug-in transformer (supplied) or battery used.

Electronic Display: Measures distance (feet or meters), time and calories.

Time and distance goals can be pre-set.

Color - frame: Anthracite Gray is standard. Custom colors available.

Color - panels: Natural Wood

Holds: Set of 45 custom training holds in 3 color groups, with optional 14 Ladder Line^(tm) holds.

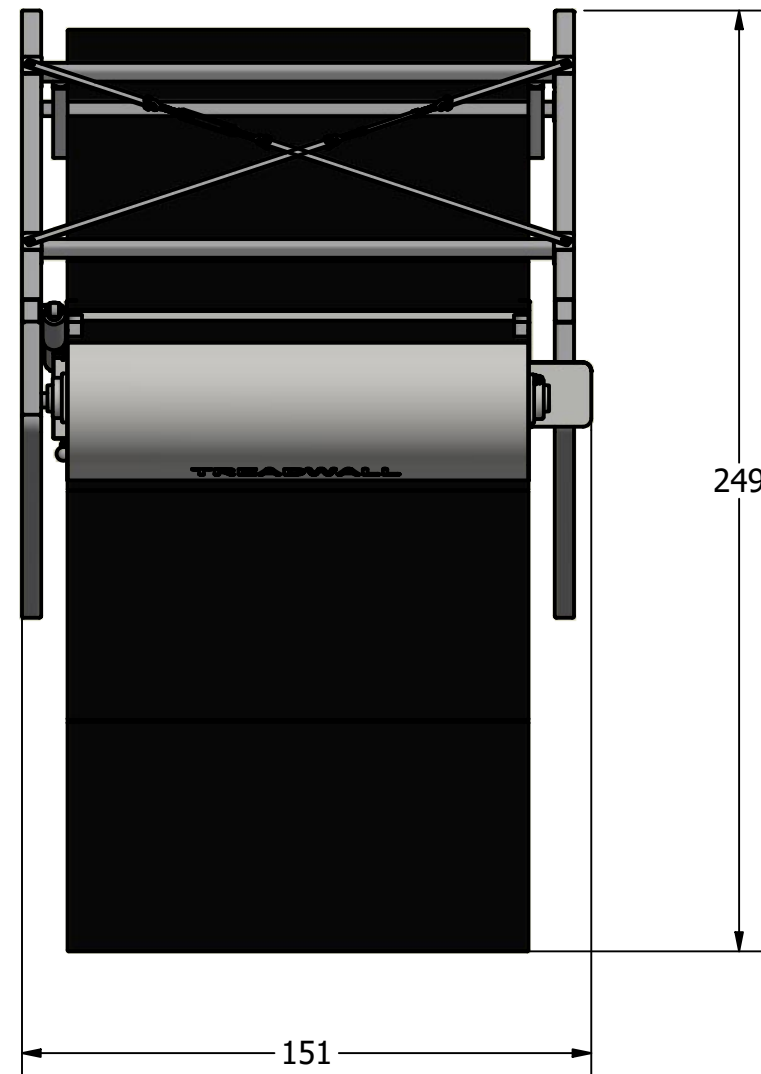
Maximum hold size: 6.35 cm high by 15.24 cm wide.

Floor Mat: 2.032 m x 1.016 m custom mat, 3.175 cm dual foam, , black 14 oz. vinyl cover.

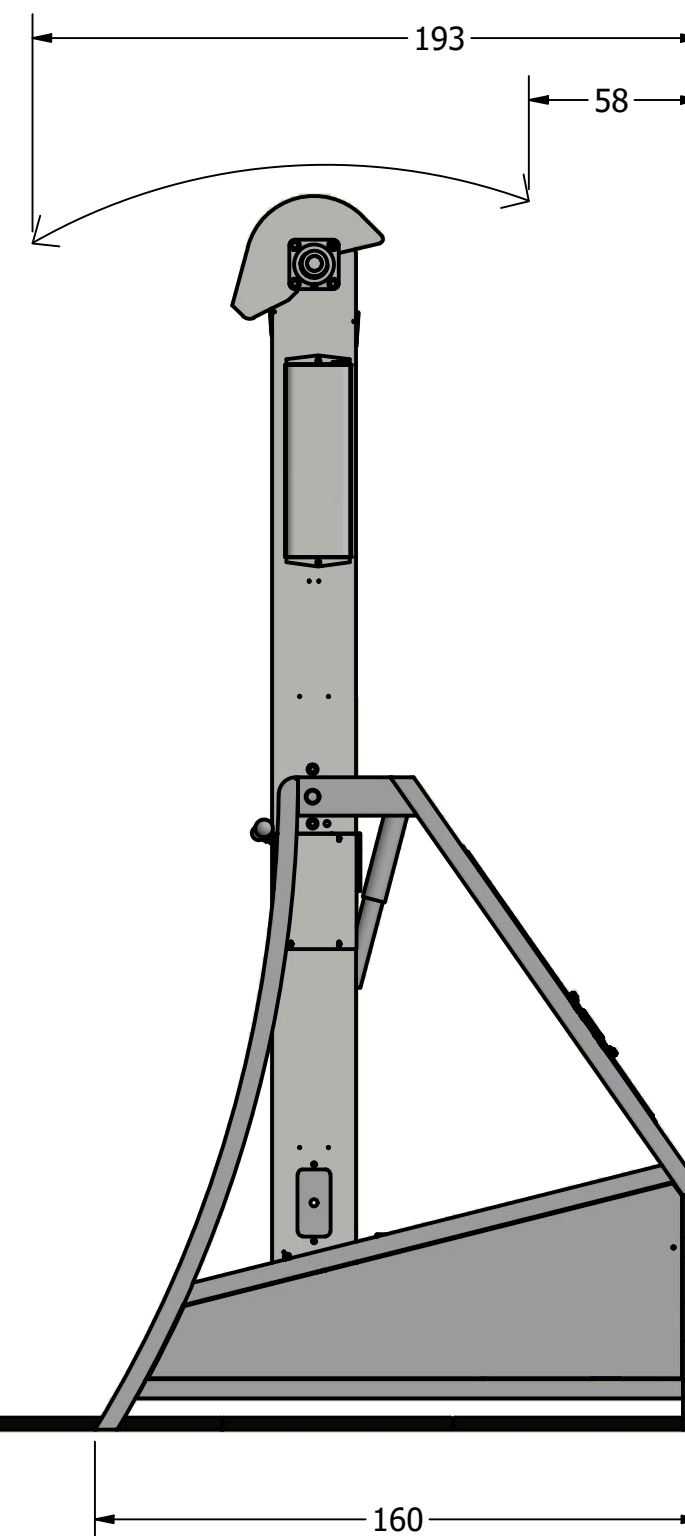
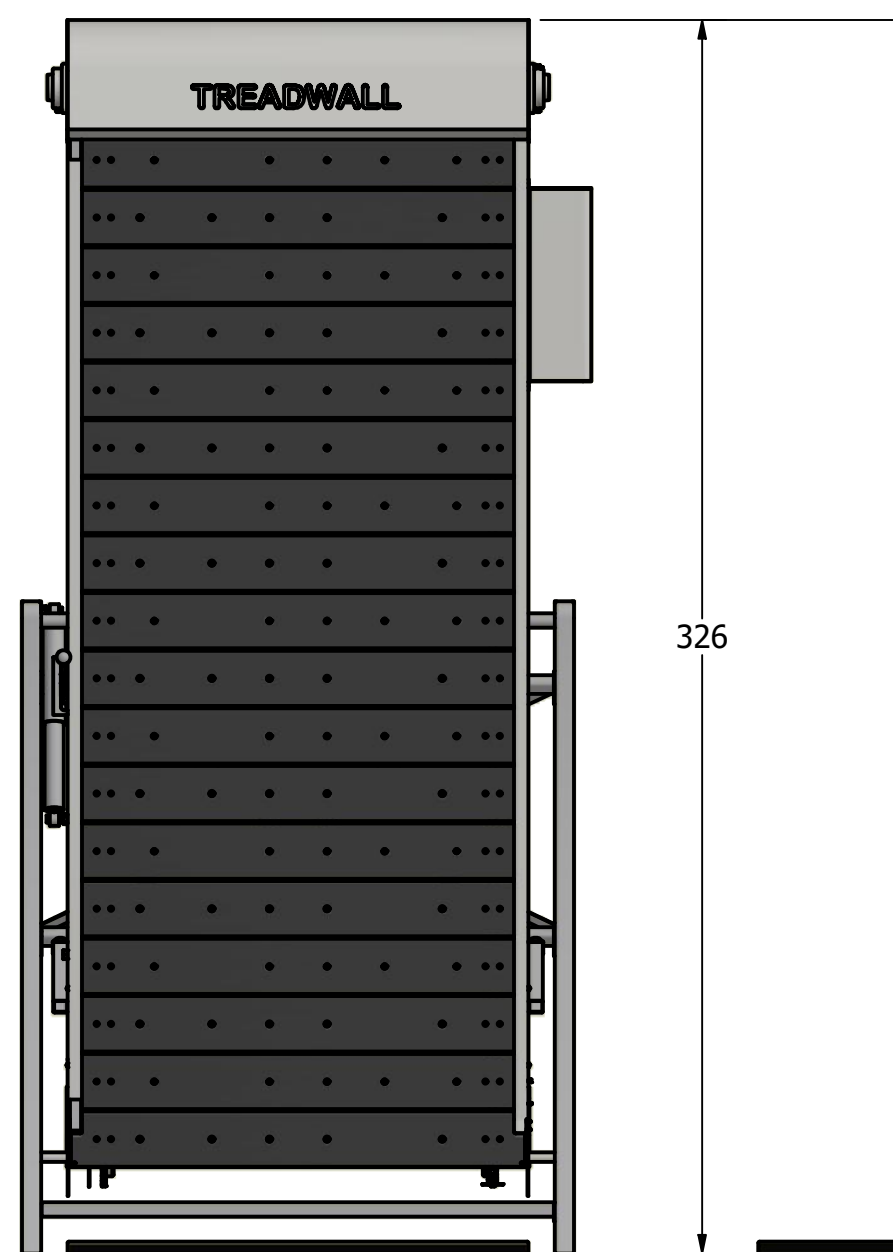
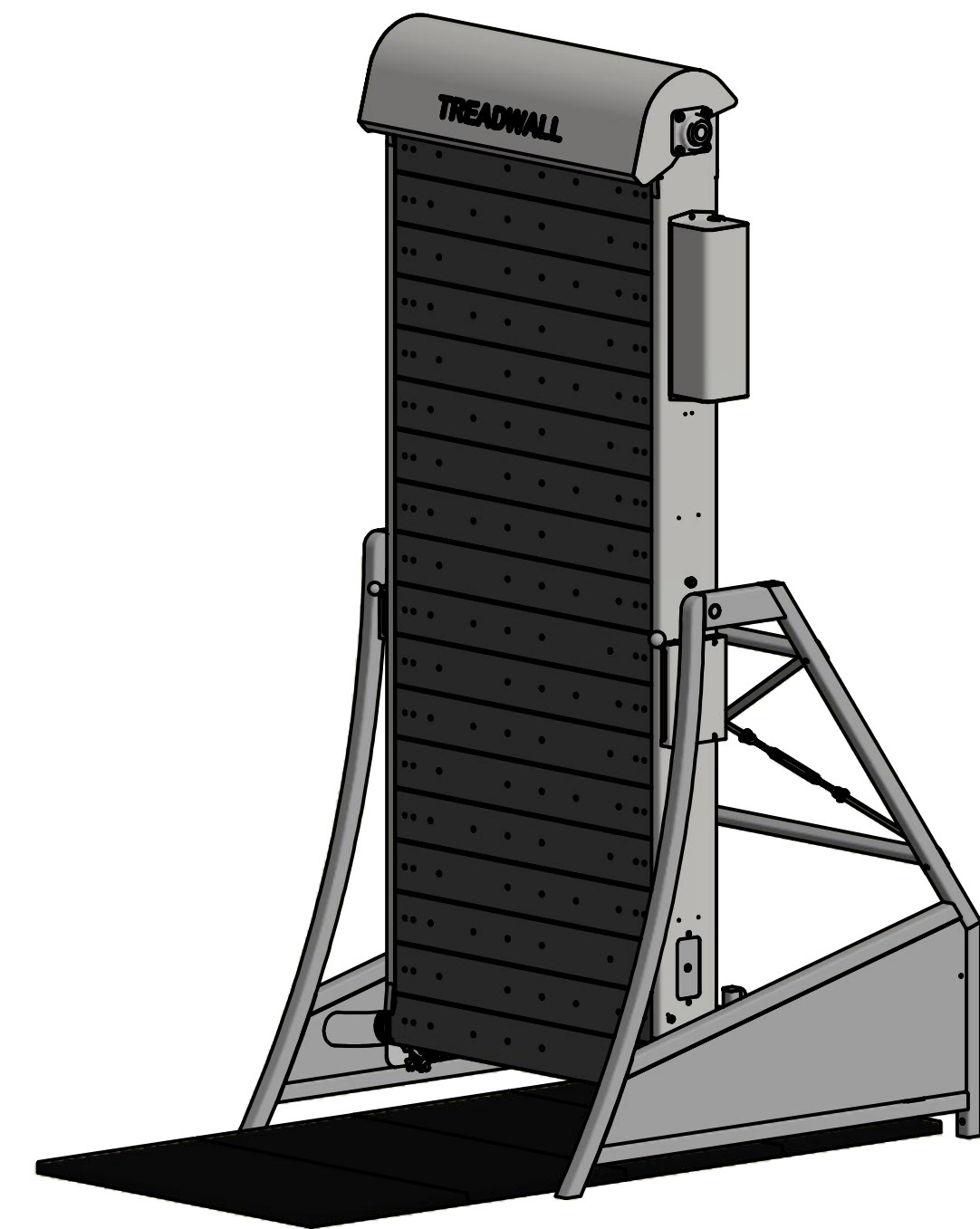
Warranty: Six years parts, one year electronics and labor.

See full warranty for details.

Treadwall® Max4/11 Rotating Walls



The Treadwall Max4/11 features our largest climbing angle range. At 3.3 meters tall, the Treadwall Max4/11 features a 1.016 m wide by 2.74 m tall climbing surface. The wall's rotation is powered by the climber's weight - no motors are used. The angle of the surface is adjusted by a lever mounted on the left side. A second lever mounted on the right side adjusts the speed to suit the user, and a patented auto-stop^(tm) mechanism matches the movement of the wall to the climber's movements, gently braking when the climber's feet are at the bottom panel. The Max4/11 is designed to fit under an 3.3 meter ceiling. See the Max4/10 for lower ceilings and Max4/12 units for higher ceilings.



SPECIFICATIONS:

Weight: 431.3 kg.

Construction: Steel framework with custom-machined wood panels.

Placement: Inside standard - outside with exterior upgrade.

Width of climbing surface: 1.016 m.

Total length of climbing surface: 5.08 m.

Number of possible hold placements: 160.

Angle range: positive 10 degrees to negative 35 degrees (overhanging).

Mode of control: Electro-hydraulic braking and resistance.

Electrical requirements: 9 VDC (1500ma) Plug-in transformer (supplied) or battery used.

Electronic Display: Measures distance (feet or meters), time and calories.

Time and distance goals can be pre-set.

Color - frame: Anthracite Gray is standard. Custom colors available.

Color - panels: Natural Wood

Holds: Set of 36 custom training holds in 3 color groups, with optional 13 ladder Line^(tm) holds.

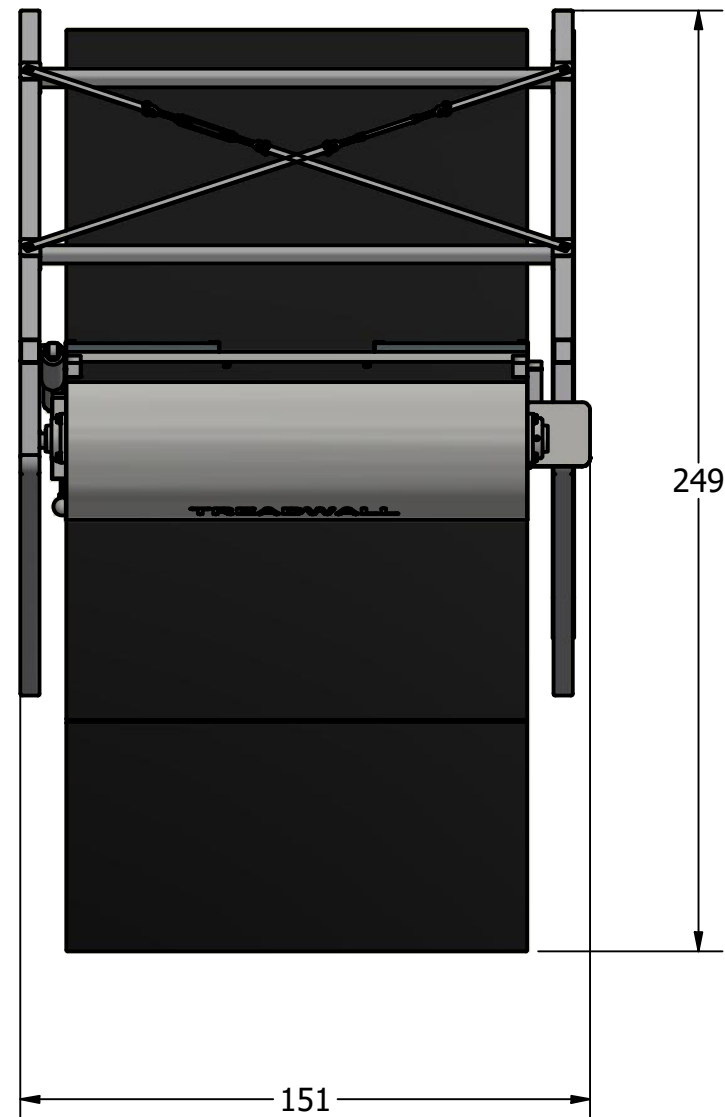
Maximum hold size: 6.35 cm high by 15.24 cm wide.

Floor Mat: 2.032 m x 1.016 m custom mat, 3.175 cm dual foam, black 14 oz. vinyl cover.

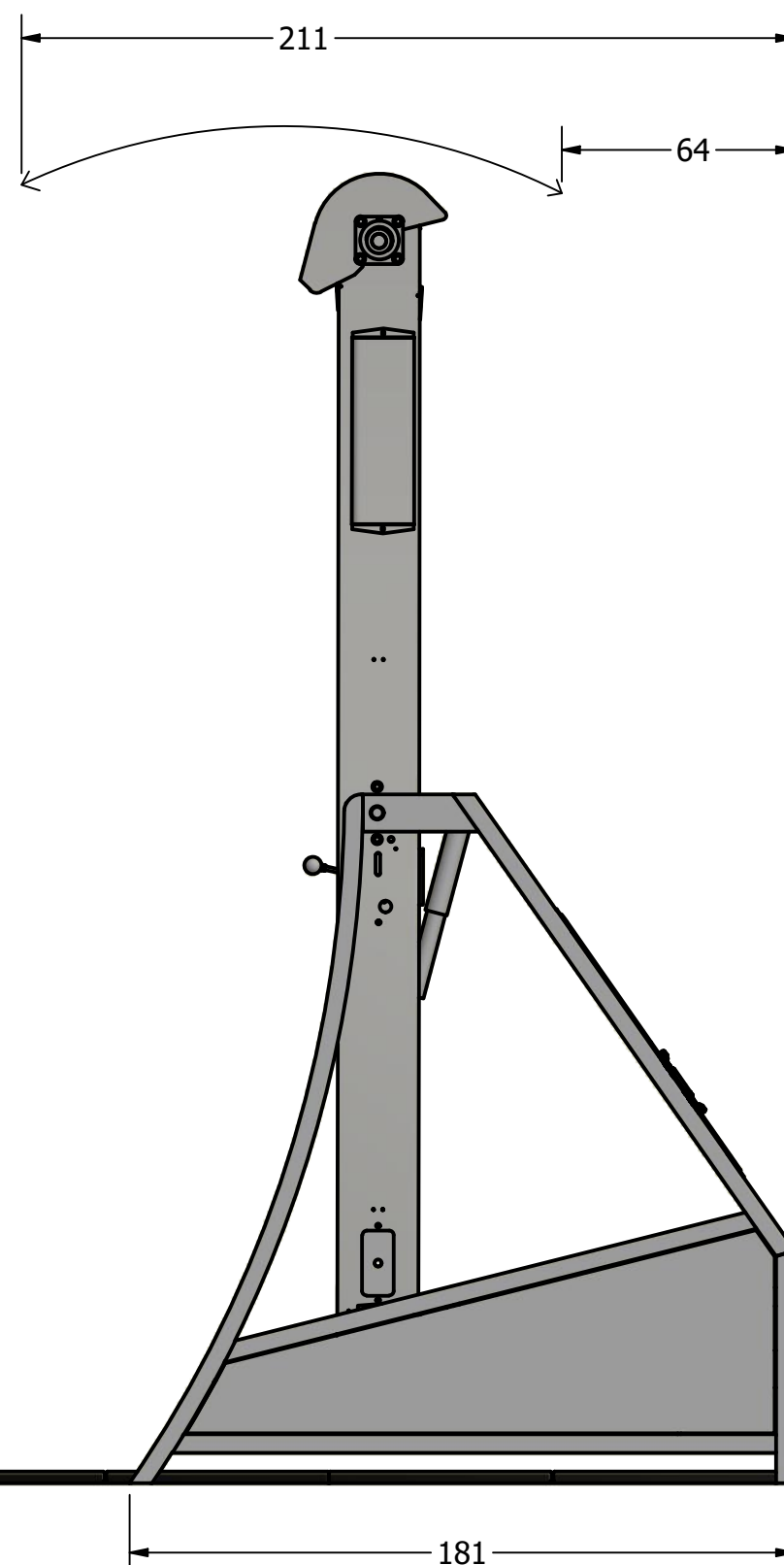
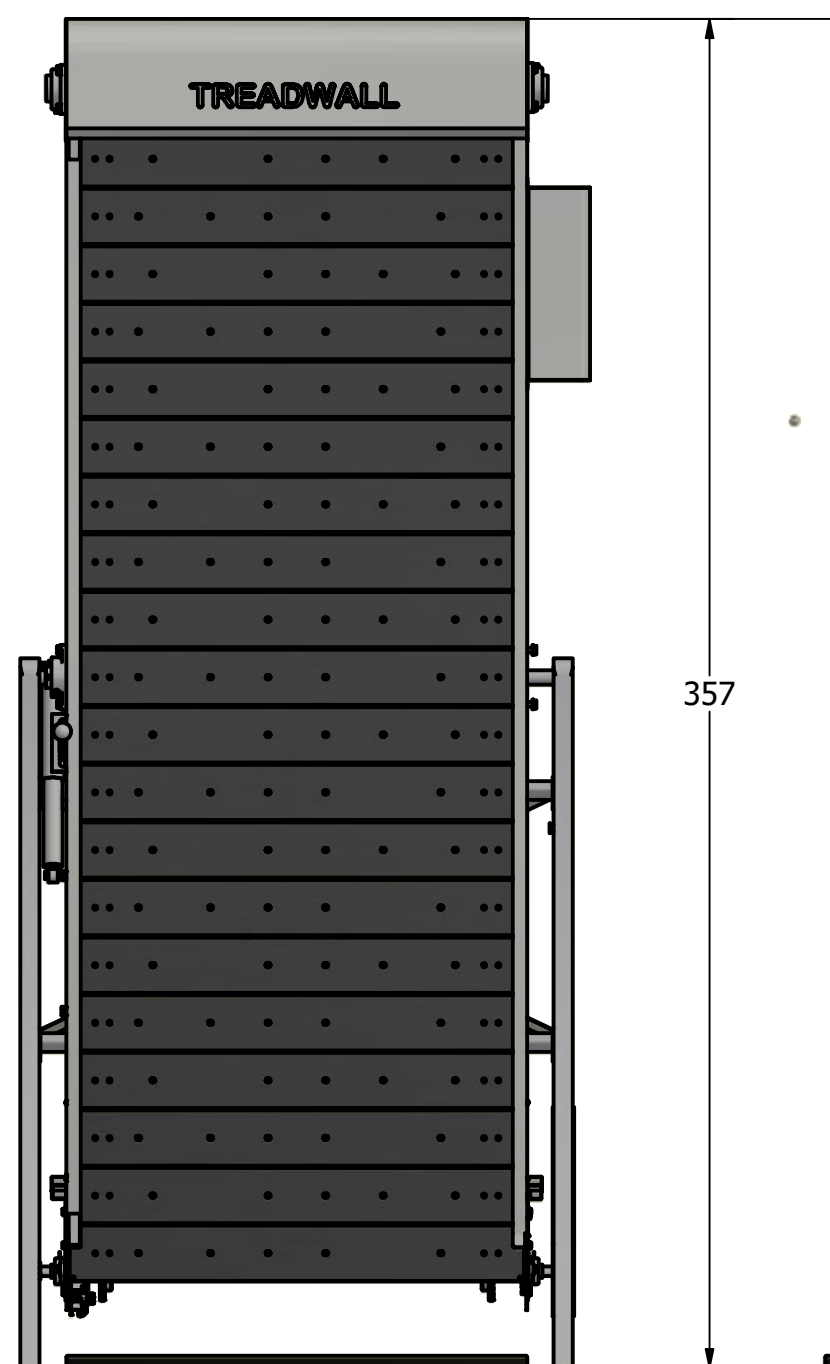
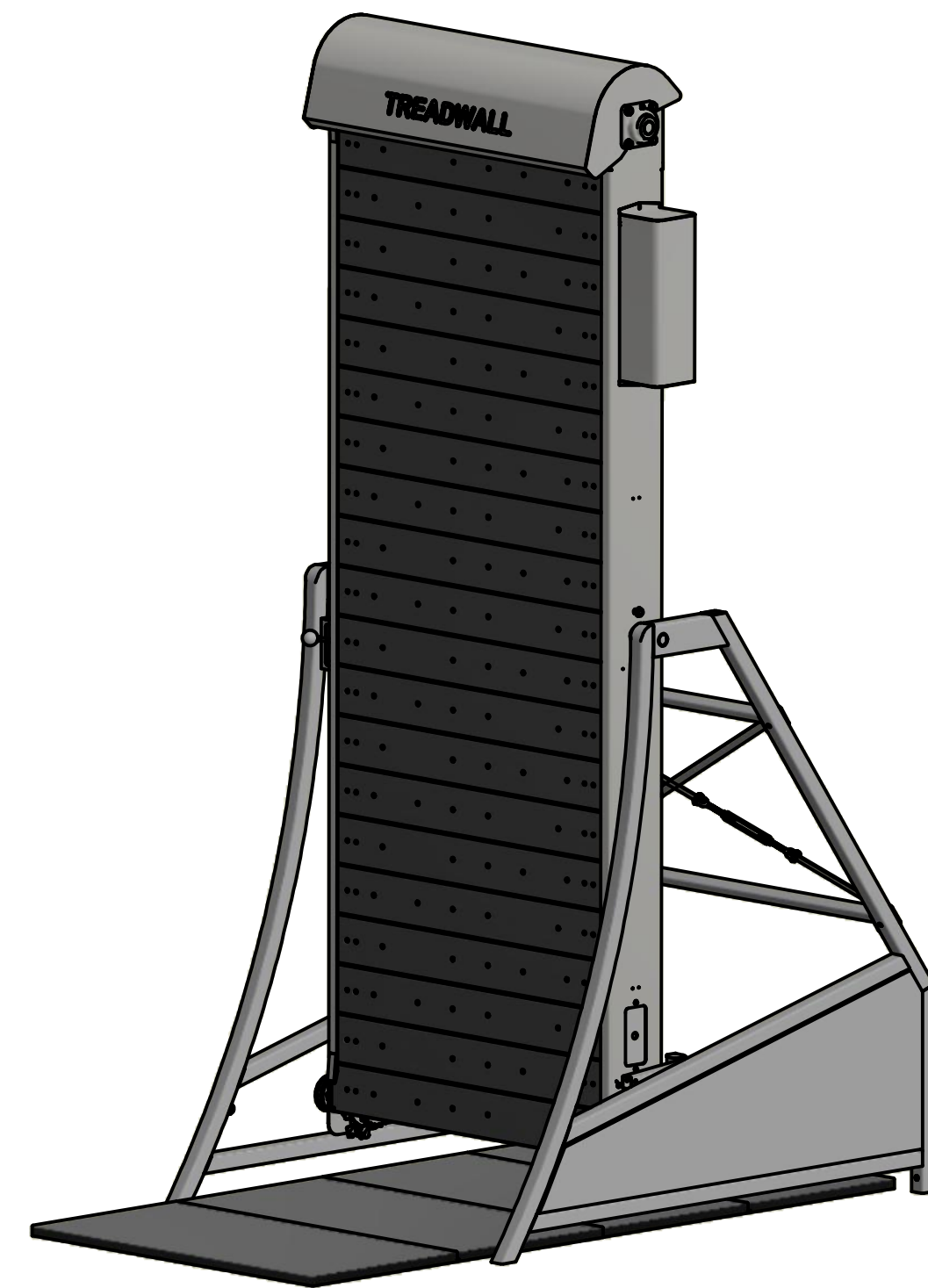
Warranty: Six years parts, one year electronics and labor.

See full warranty for details.

Treadwall® Max4/12 Rotating Walls



The Treadwall Max4/12 tallest climbing surface combined with our largest angle range. At 3.6 meters tall, the Max4/12 has a 1.016 meter wide by 3 meter tall climbing surface. The wall's rotation is powered by the climber's weight - no motors are used. The angle of the surface is adjusted by a lever mounted on the left side. A second lever mounted on the right side adjusts the speed to suit the user, and a patented auto-stop^(tm) mechanism matches the movement of the wall to the climber's movements, gently braking when the climber's feet are at the bottom panel. The Max4/12 is designed to fit under a 3.6 meter ceiling. See the Max4/11 and Max4/10 for shorter ceilings.



SPECIFICATIONS:

- Weight: 454 kg.
- Construction: Steel framework with custom-machined wood panels.
- Placement: Inside standard - outside with exterior upgrade.
- Width of climbing surface: 1.016 m.
- Total length of climbing surface: 5.588 m.
- Number of possible hold placements: 176.
- Angle range: positive 10 degrees to negative 35 degrees (overhanging).
- Mode of control: Electro-hydraulic braking and resistance.
- Electrical requirements: 9 VDC (1500ma) Plug-in transformer (supplied) or battery used.
- Electronic Display: Measures distance (feet or meters), time and calories. Time and distance goals can be pre-set.
- Color - frame: Anthracite Gray is standard. Custom colors available.
- Color - panels: Natural Wood
- Holds: Set of 36 custom training holds in 3 color groups, with optional 13 Ladder Line^(tm) holds.
- Maximum hold size: 6.35 cm high by 15.24 cm wide.
- Floor Mat: 2.032 m x 1.016 m custom mat, 3.175 cm dual foam, black 14 oz. vinyl cover.
- Warranty: Six years parts, one year electronics and labor. See full warranty for details.