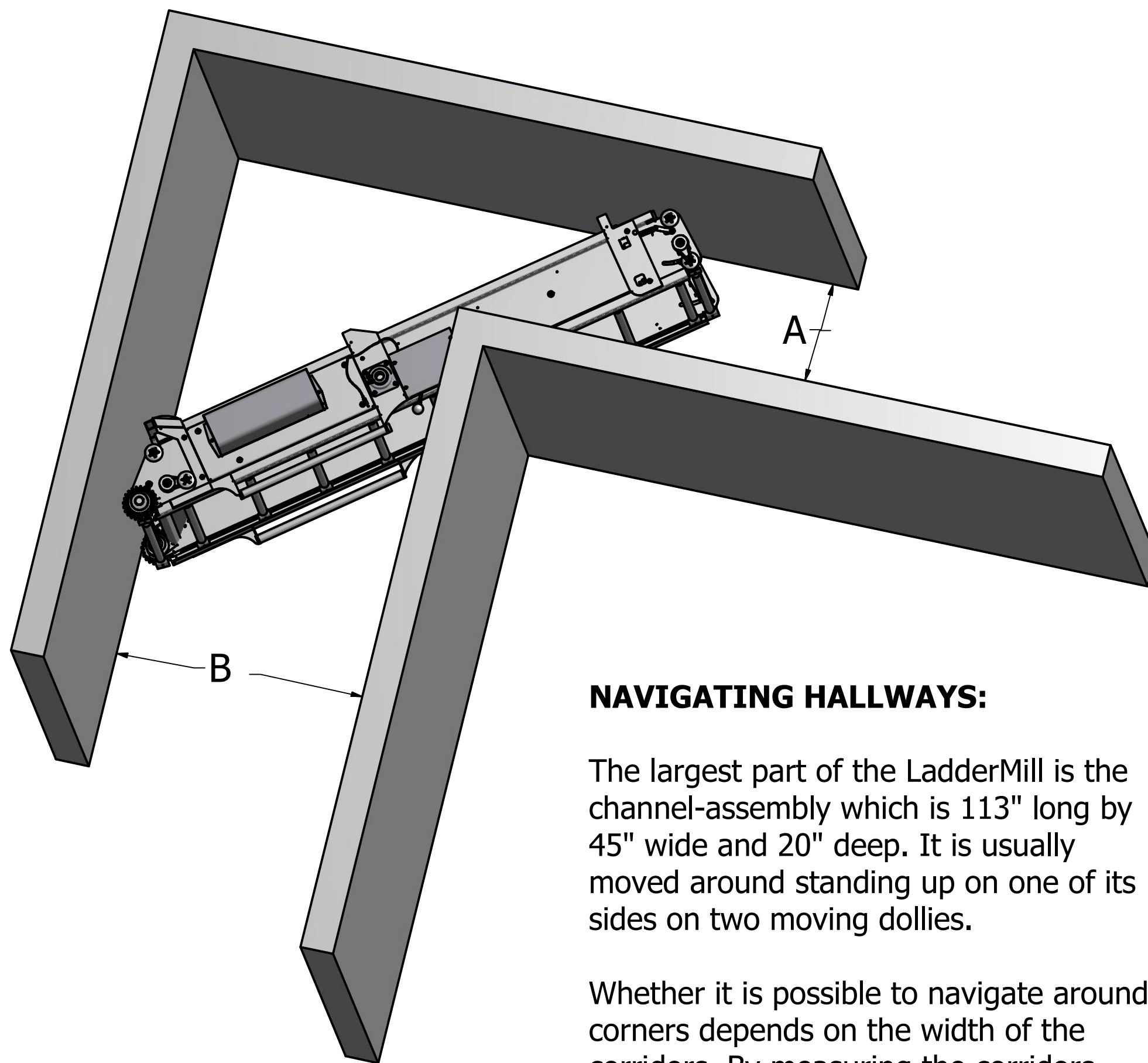
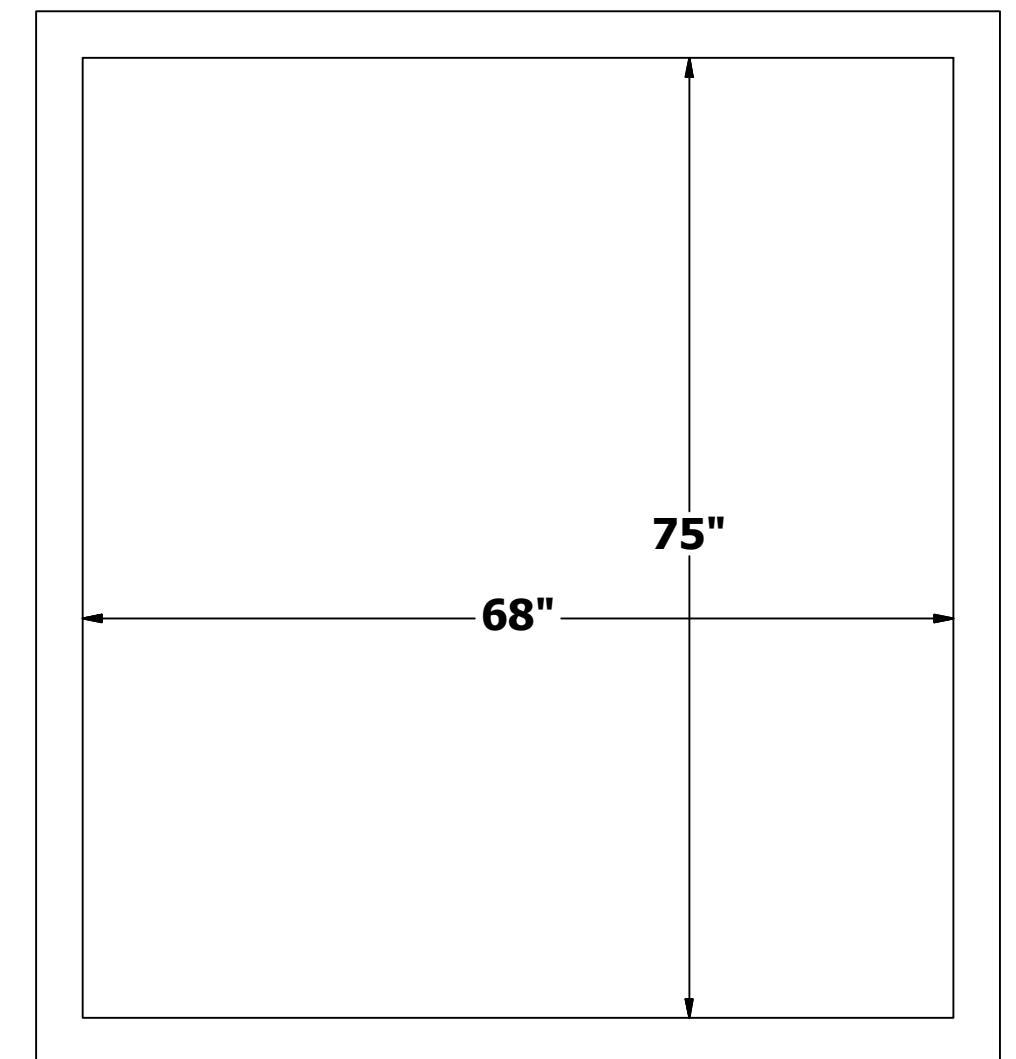


LADDERMILL ACCESS DIMENSIONS:

DOORWAYS:

A) Channel-assembly removed from the pallet and on edge (moving dollies) - will fit through a standard single doorway.

B) Fully assembled LadderMill (with the wall rotated to a horizontal position) - will fit through a double door with the minimum dimensions shown.



NAVIGATING HALLWAYS:

The largest part of the LadderMill is the channel-assembly which is 113" long by 45" wide and 20" deep. It is usually moved around standing up on one of its sides on two moving dollies.

Whether it is possible to navigate around corners depends on the width of the corridors. By measuring the corridors, you can tell from this table whether there will be a problem making the turn.

MINIMUM WIDTHS:

A:	B:
46"	46"
45"	47"
44"	48"
43"	49"
42"	50"
41"	52"
40"	53"
39"	54"
38"	55"
37"	56"
36"	58"
35"	59"
34"	61"
33"	62"
32"	64"
31"	65"
30"	66"

